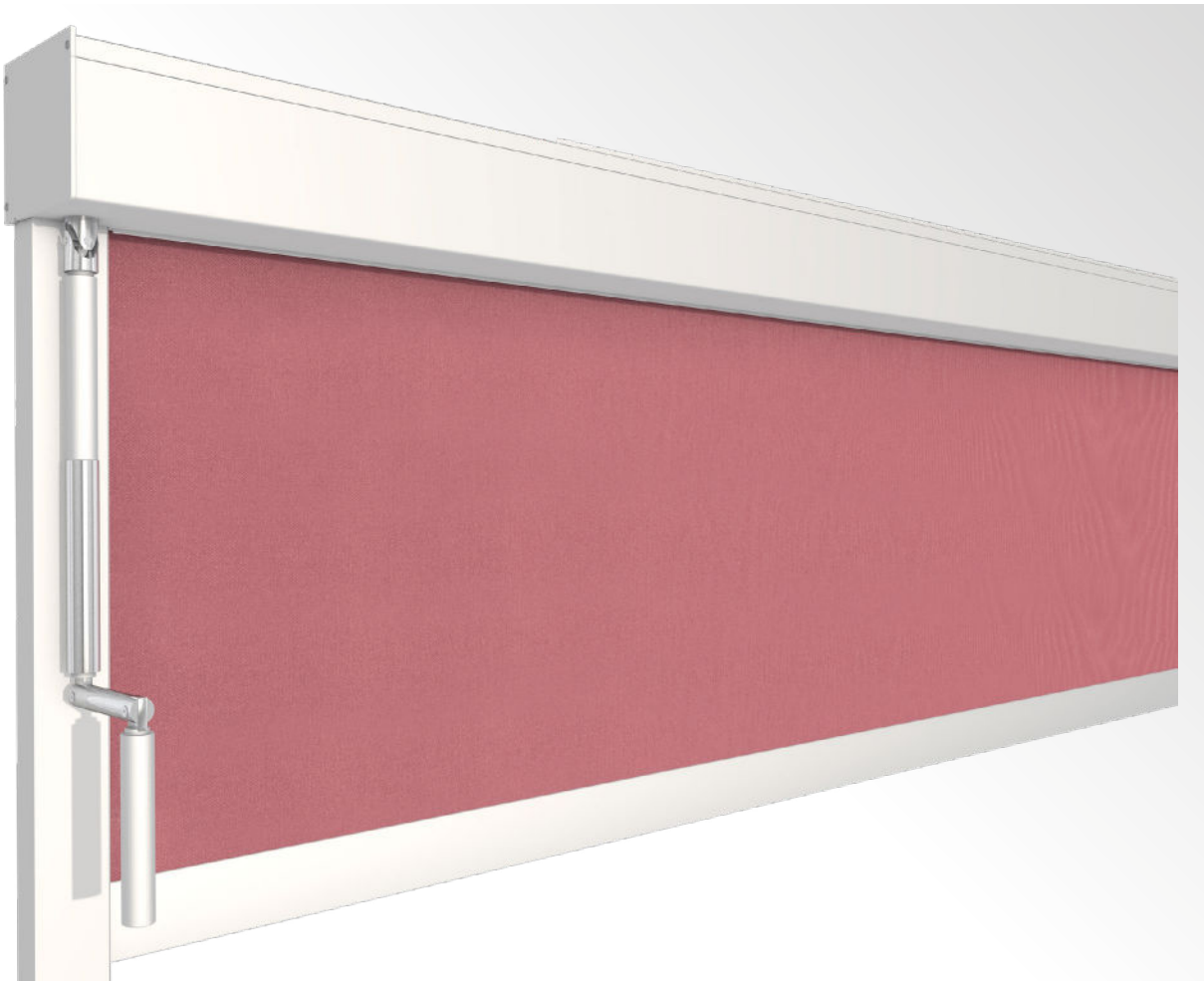


## Data Sheet

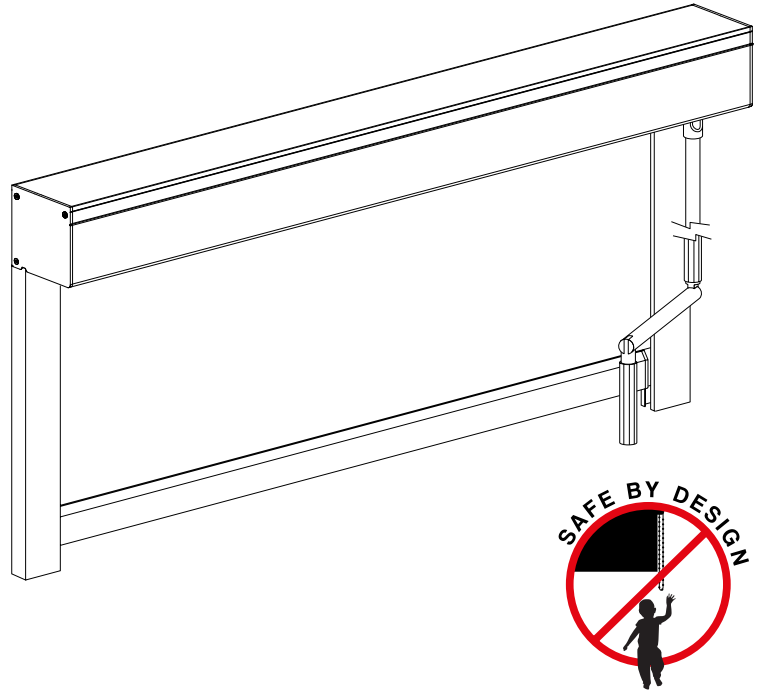
# DBL-G Gear Operation Dimout Blind System



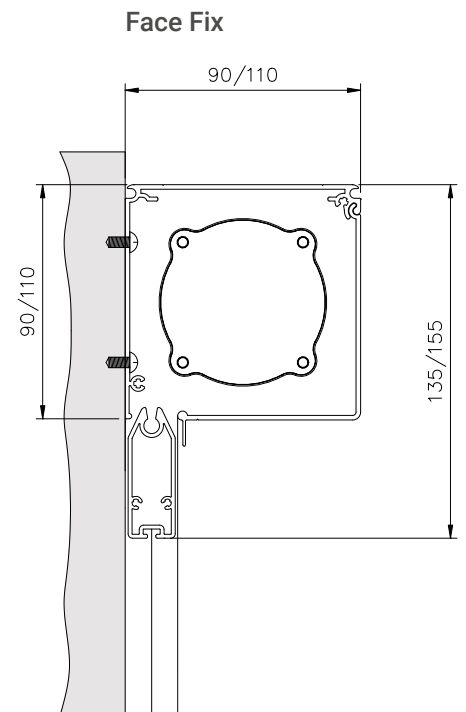
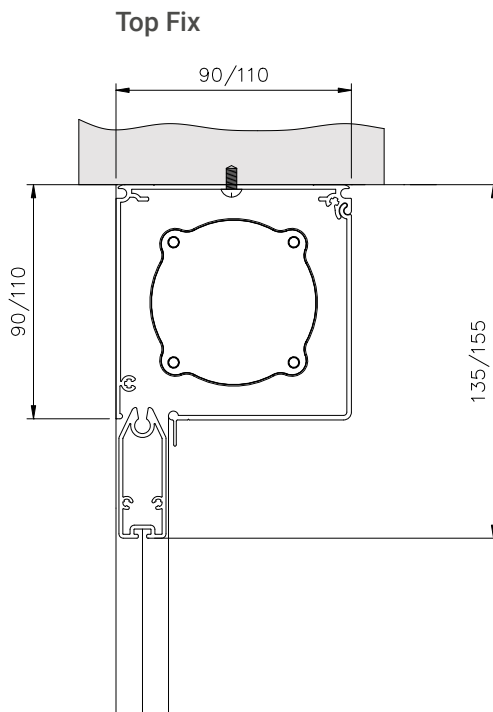
## Features and Benefits

- Robust fixed or detachable crank handle operation
- Cassette and side channels for enhanced light exclusion
- Two sizes of head box – 90mm or 110mm
- Various fixing options for cassette and side channels
- LightLock® system retains fabric in side channels
- Safe by design – meets BS EN 13120 child safety requirements
- Available in black or white powder coated finish

## Configuration

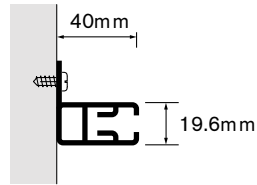


## Headbox Options: Square Headbox

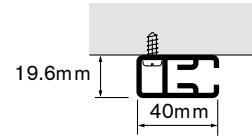


## Side Channel Options

Side Channel Face Fix  
Inside Reveal

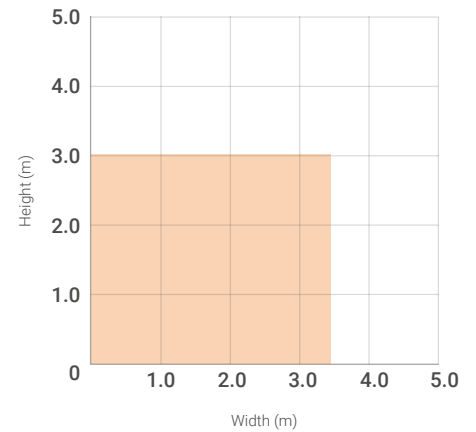


Side Channel Side Fix  
Inside Reveal



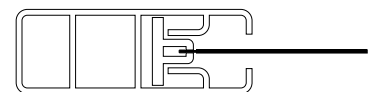
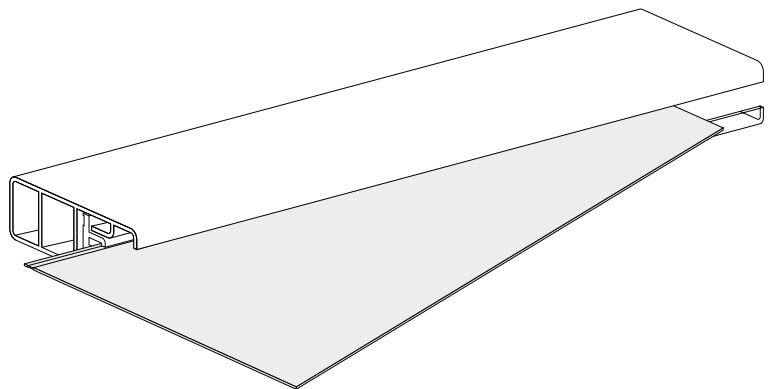
## Size Parameters

Maximum width: 3500mm  
Maximum drop: 3000mm



## LightLock® Fabric Retention System

Special locking system stops fabric being forced out of the side channels





### Fabric Choice

DeltaBlock30® and Deltablock40® fabrics are ideally suited to the ShadeTech® DBL Dimout Blind System. Other fabrics available, please [contact Waverley](#) for advice.

### Maintenance

ShadeTech® Dimout Blinds are made from high quality materials. Cleaning regime depends upon fabric specified. Most can be wiped clean with a damp cloth.

### Quality and Guarantee

ShadeTech® Dimout Blinds are manufactured and installed in accordance with a quality system certified under EN ISO 9001:2000. They are rigorously tested to guarantee trouble free operation, and are designed with health and safety and environmental standards in mind. They carry a five year manufacturer's guarantee.