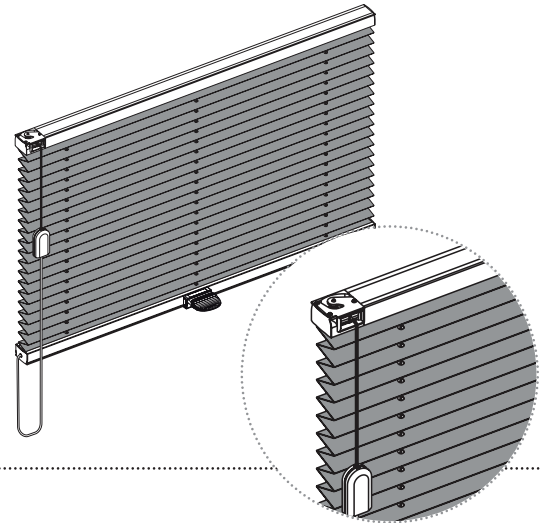


PBF-C Free Hanging, Cord Operated Pleated Blinds

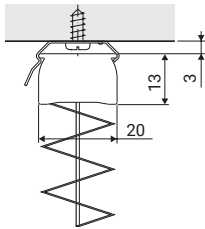
Features and benefits

- Simple pull cord operation with integrated cordlock
- Slim design allows blind to fit close to glazing for maximum performance
- Extruded aluminium headrail available in white or brown powdercoat finish with matching brackets and endcaps

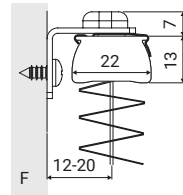


Fixing brackets

Ceiling fix (top fix)

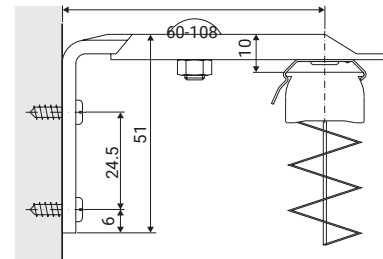


Wall fix (face fix)



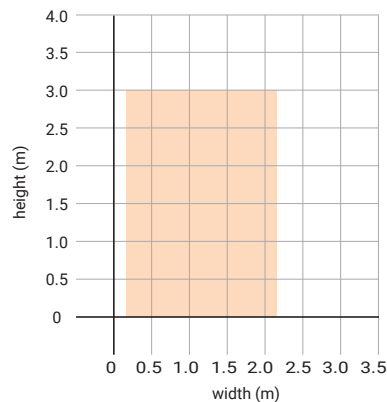
Extension brackets

To give clearance to obstructions (i.e. window handles, window winding gear, etc.)



Size parameters

Minimum width: 150mm
 Maximum width: 2150mm
 Maximum drop: 3000mm





This publication is based on the latest data available at the time of printing. Due to product changes, improvements and other factors, the Company reserves the right to change or withdraw information contained herein without prior notice. The photography shown in the document should not necessarily be taken as recommendations of good practice. The printing process restricts the exact representation of colours. For true colour reference, please request product samples.



Fabric choice

A range of flame retardant fabrics, including those with solar reflective backing are available for glare control, privacy and blackout.

Maintenance

ShadeTech® Pleated blinds are made from high quality materials and require minimal maintenance. Cleaning regime depends on fabric specified, but most fabrics can be wiped clean with a damp cloth.

Quality and Guarantee

ShadeTech® Pleated Blinds are manufactured and installed in accordance with a quality system certified under ISO9001:2008. They are rigorously tested to guarantee trouble free operation and are designed with Health and Safety in mind. They carry a 5 year guarantee.

Basic specification wording

PBF System: ShadeTech® Free Hanging Pleated Blind System PBF [add suffix as above] with 20mm extruded aluminium headrail and bottom rail in [white] or [brown] powdercoat finish. Controls to be by [side pull cord] [24v tubular motor]. Fabric to be...

PBC System: ShadeTech® Cord Guided Pleated Blind System PBC-H with 20mm extruded aluminium headrail and bottom rail in [white] or [brown] powdercoat finish. Fabric retained by side cord guides attached at top and bottom of blind. Controlled by hand with pull handle attached centrally to bottom bar. Fabric to be...

PBT System: ShadeTech® Tensioned Rooflight Pleated Blind System PBT [add suffix as above] with 20mm extruded aluminium headrail and bottom rail in [white] or [brown] powdercoat finish. Fabric retained by static tensioned wires fixed to headrails at either end. Controls to be by [wand operation] [24v tubular motor]. Fabric to be...

Blinds to be supplied and installed by Waverley Contract and Supply Ltd., Rowan House, Guildford Road Trading Estate, Farnham, Surrey, UK, GU9 9PZ, Tel 01252 737973, E-mail sales@waverley.co.uk

Do not hesitate to contact us on 01252 737973 for assistance with specification wording for the blinds to suit your project. Specifications available on NBS Plus.