

## Data Sheet

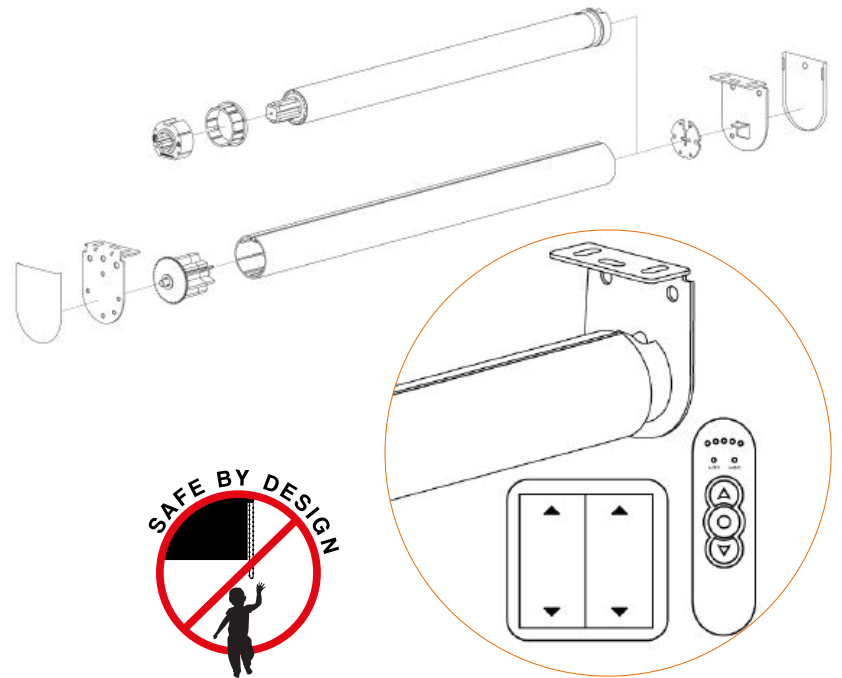
# RBL-E Robust Motorised Roller Blind System



## Features and Benefits

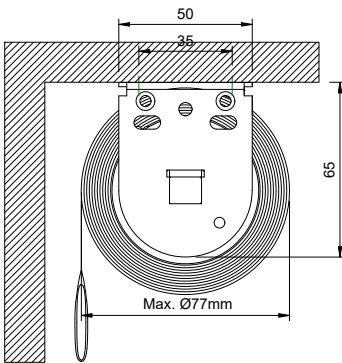
- 240v tubular motor with five year guarantee
- Choice of standard (hard wired) or RTS (radio remote switching)
- White (RAL 9016) or grey (RAL 9018) end sets and bracket covers
- Blinds can be grouped together for simultaneous operation and integrated with BMS/a range of control options
- Brackets for fixing in any situation
- Safe by design – meets BS EN 13120 child safety requirements
- Motor specifications and wiring diagrams available upon request

## Configuration

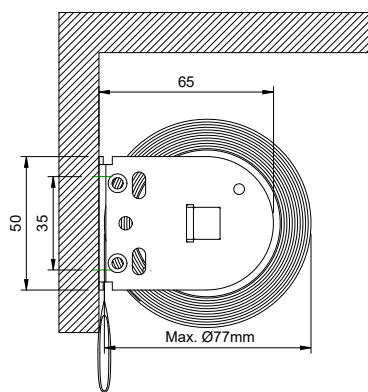


## Fixing Brackets

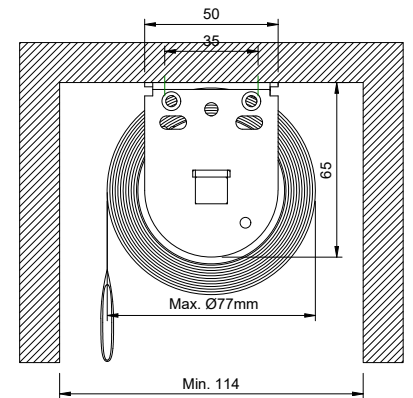
Top Fix



Face Fix

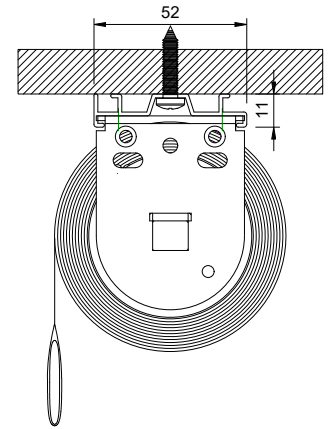
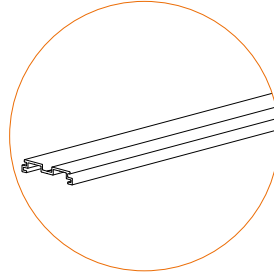


Recess Fix



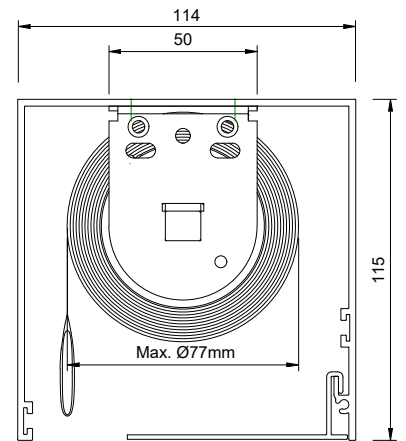
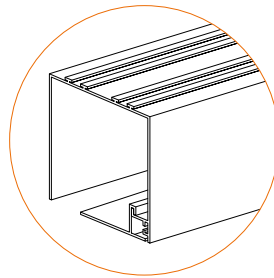
## Mounting Rail

For use when fixing to plasterboard or weak substrates



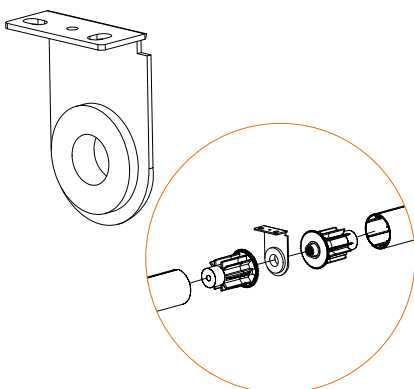
## Ceiling Pocket

Available in 3m lengths. White powdercoat finish as standard

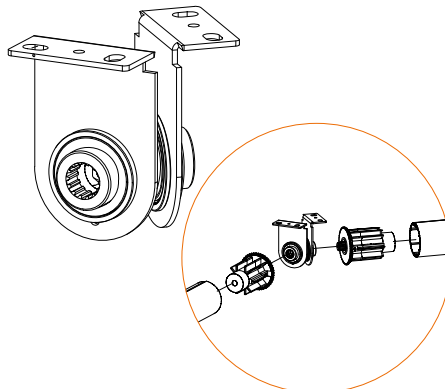


## Bracket Options

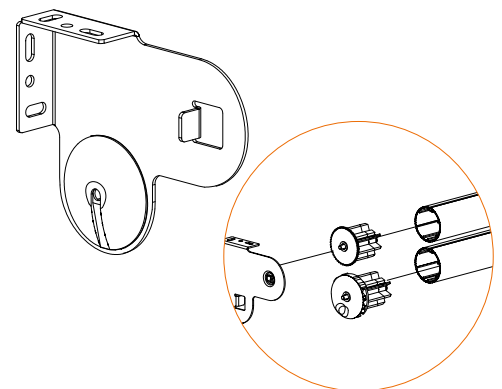
### In-line Bracket (Linked Blinds)



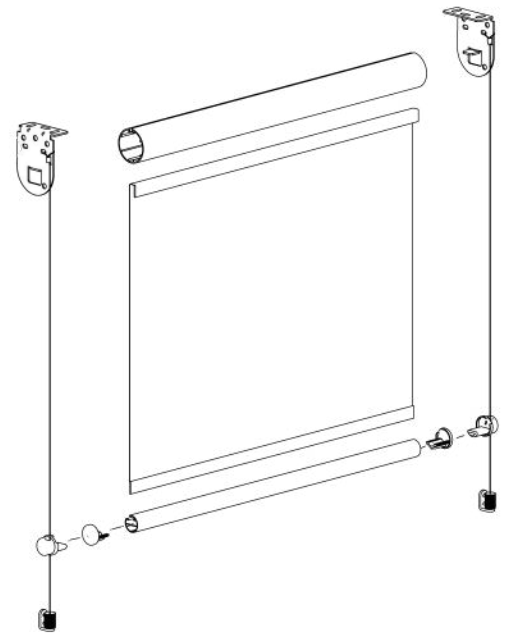
### Angled Bracket (Linked Blinds)



### Combination Bracket

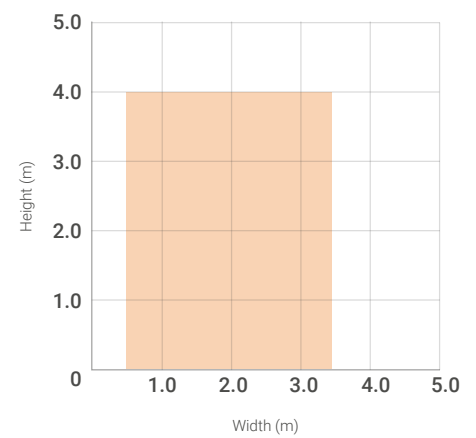


## Guide Wires

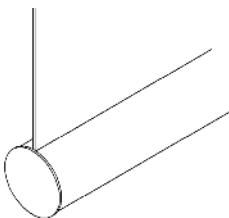


## Size Parameters

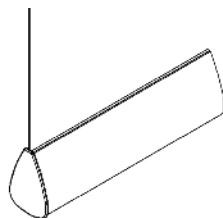
Minimum width: 600mm  
Maximum width: 3200mm  
Maximum drop: 4000mm



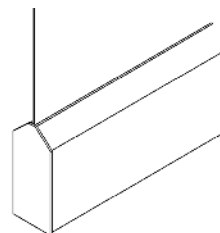
## Bottom Bar Options



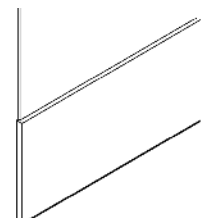
Round



Teardrop



Rectangular

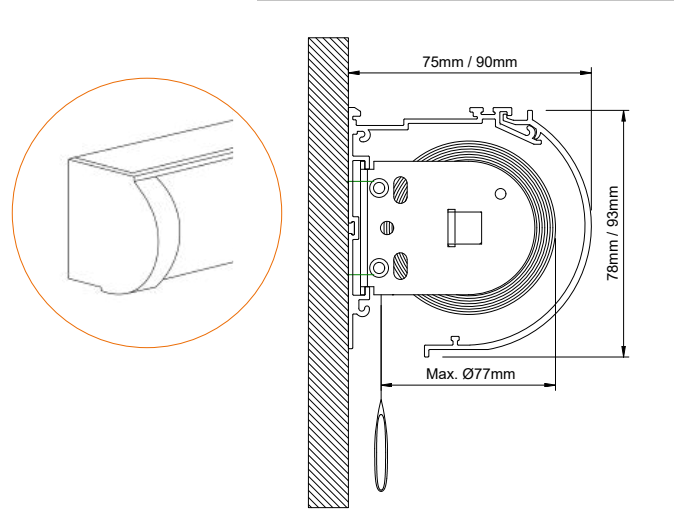
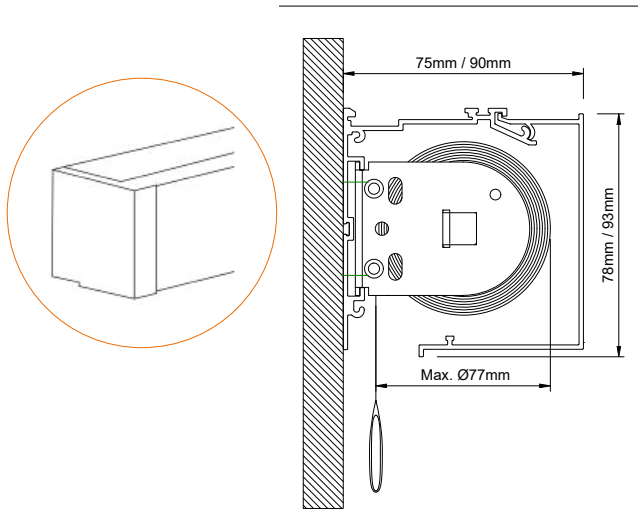


Fabric Enclosed

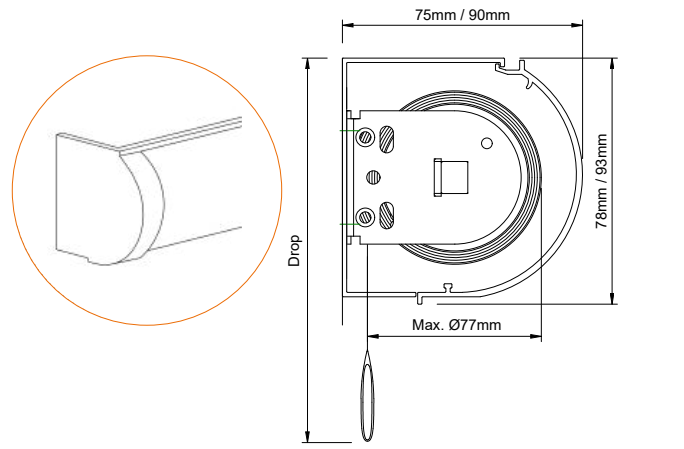
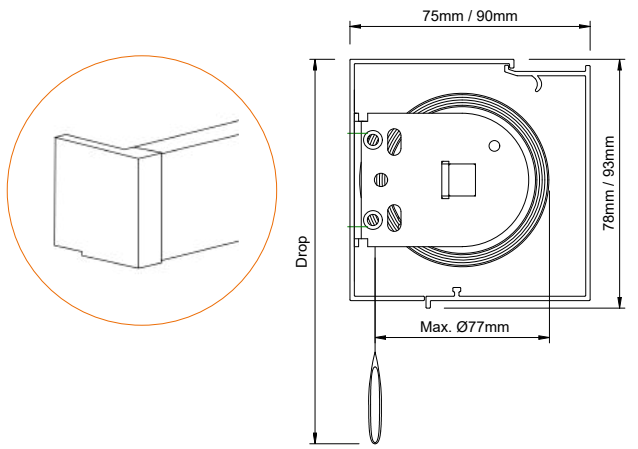
Cassette

Square – Can Be Wall Or Face Fixed

Round – Can Be Wall Or Face Fixed

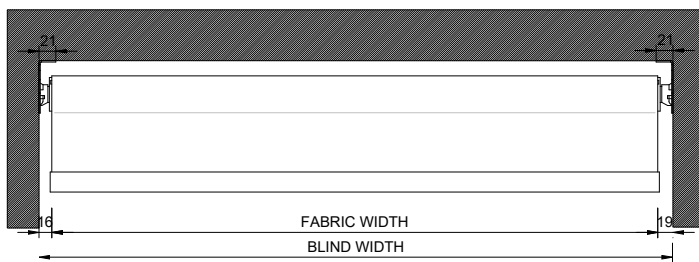


Fascia

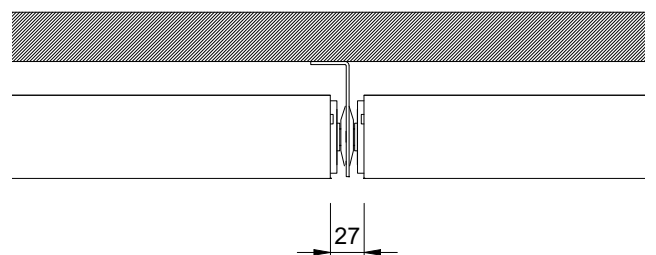


Light Gap

Single Blind



Linked Blinds





## Fabric Choice

The entire ShadeTech fabric range is suitable for use with RBL roller blinds. Alternatively they can be manufactured using fabric selected by specifier or client.

## Maintenance

RBL roller blinds are made from high quality materials. Cleaning regime depends on fabric specified. Most can be wiped clean with a damp cloth.

## Quality and Guarantee

ShadeTech warrants to the end user that its products are free from defects in the material and workmanship for a period of five years for the mounting hardware.