

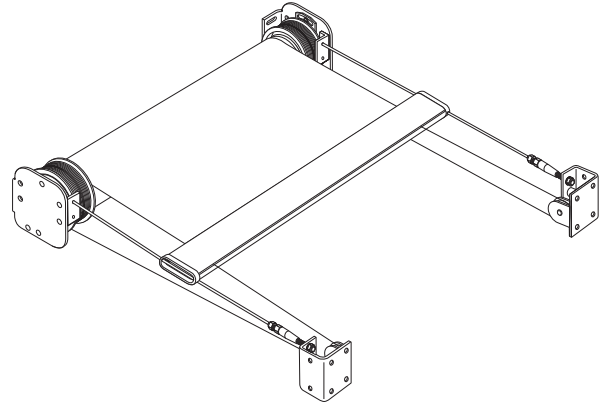


# RBT-W Wire Guided Tensioned Rooflight Blind System

## Features and benefits

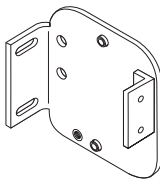
- ▶ Suitable for horizontal and sloping glazing
- ▶ 240v tubular motor with option of hardwired or RTS controls
- ▶ Fully retractable
- ▶ Exerts tensioned force on building structure

**Motor specifications and wiring diagrams available upon request.**

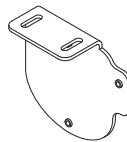


## Fixing brackets

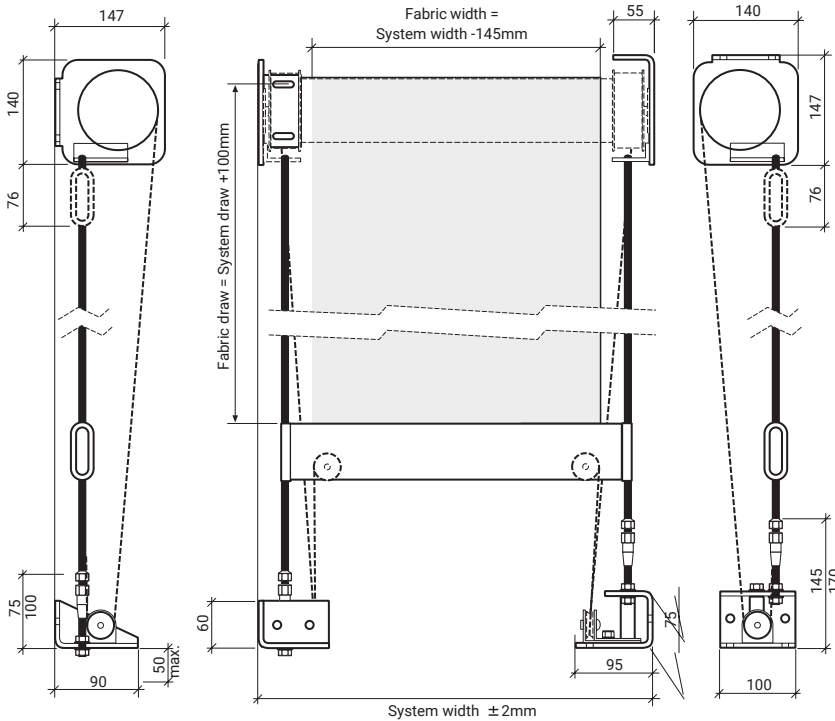
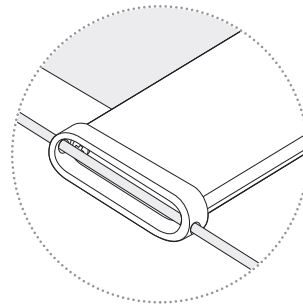
### Back fix roller bracket



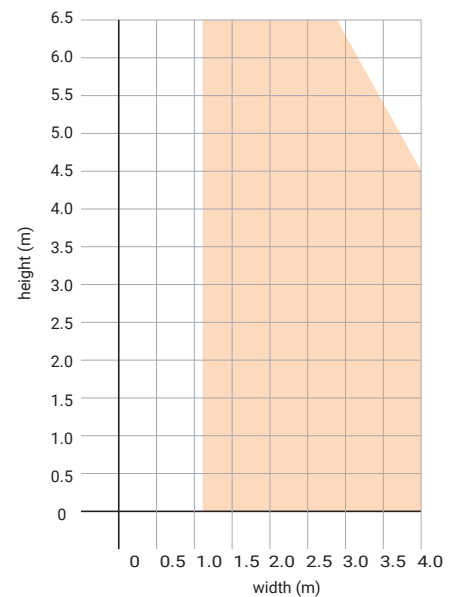
### Top fix roller bracket



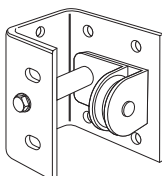
## Bottom bar



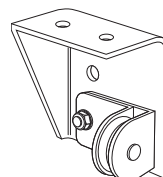
## Size parameters



### Side fix pulley bracket



### Back fix pulley bracket





This publication is based on the latest data available at the time of printing. Due to product changes, improvements and other factors, the Company reserves the right to change or withdraw information contained herein without prior notice. The photography shown in the document should not necessarily be taken as recommendations of good practice. The printing process restricts the exact representation of colours. For true colour reference, please request product samples.



#### **Fabric choice**

A range of ShadeTech® fabrics for shading, glare control and room darkening.

#### **Maintenance**

ShadeTech® Tensioned Rooflight Blinds are made from high quality materials. Cleaning regime depends upon fabric specified. Most can be wiped clean with a damp cloth.

#### **Quality and Guarantee**

ShadeTech® Tensioned Rooflight Blinds are manufactured and installed in accordance with a quality system certified under EN ISO 9001:2000. They are rigorously tested to guarantee trouble free operation, and are designed with Health and Safety and environmental standards in mind.

They carry a 5 year manufacturer's guarantee.

#### **Basic specification wording**

*ShadeTech® Tensioned Rooflight Roller Blind system RBT:* [add suffix as above] with [side wire guided system and tensioned pulley arrangement] [side guide rails in white powdercoat aluminium with integral tensioned pulley arrangement and central relieving roller as necessary]. Motorised operation with 240v tubular electric motor. Extruded bottom bar in white aluminium. Fabric to be...

Blinds to be supplied and installed by Waverley Contract and Supply Ltd., Rowan House, Guildford Road Trading Estate, Farnham, Surrey, UK, GU9 9PZ, Tel 01252 737973, E-mail sales@waverley.co.uk

**Do not hesitate to contact us on 01252 737973 for assistance with specification wording for the blinds to suit your project. Specifications available on NBS Plus.**