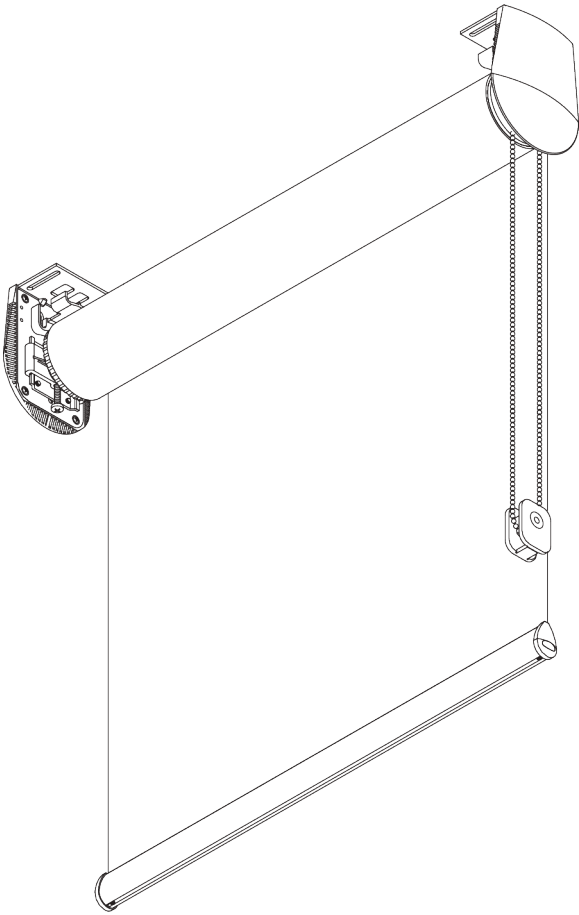
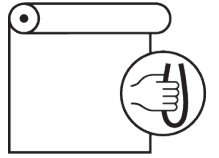


SG 4840



PRODUCT INFORMATION

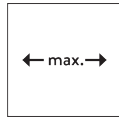
- **Operation:** chain
- **Range:** L
- **Fitting:** ceiling, wall, recess
- **Colours:** white RAL 9016; special colours or anodised aluminum possible
- **Fabrics:** refer to Silent Gliss fabric collection

Features:

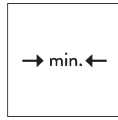
- Stainless steel bead chain
- Stainless steel brackets, adjustable for vertical alignment of fabric

SYSTEM SPECIFICATIONS

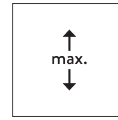
A. SYSTEM DIMENSIONS



Tube SG 4957: 5 m
Tube SG 4901: 4 m



50 cm



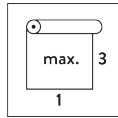
Tube SG 4957: 3.75 m
Tube SG 4901: 6 m



15 m²


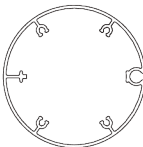


Tube SG 4957: 9.5 kg
Tube SG 4901: 12.5 kg



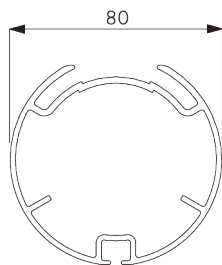
Recommended width /
height ratio
max. 1:3

Maximum surface area

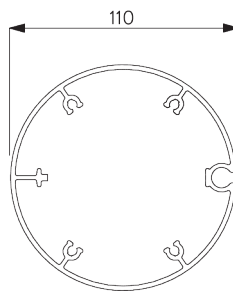
		A →								
		2 m	2.5 m	3 m	3.5 m	4 m	4.5 m	5 m		
B ↓	2 m	●	●	●	●	○	○	○	 ● SG 4901 (ø 80 mm)	
	2.5 m	●	●	●	●	○	○	○		
	3 m	●	●	●	●	○	○	○	 ○ SG 4957 (ø 110 mm)	
	3.5 m	●	●	●	●	○				
	4 m	●	●	●	●					
	4.5 m	●	●	●						
	5 m	●	●	●						
	5.5 m	●	●		max. 15 m ²					
6 m	●	●								

B. PROFILE

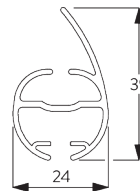
Profile information



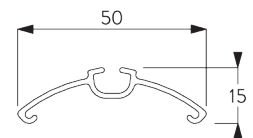
SG 4901
Tube ø 80 mm



SG 4957
Tube ø 110 mm



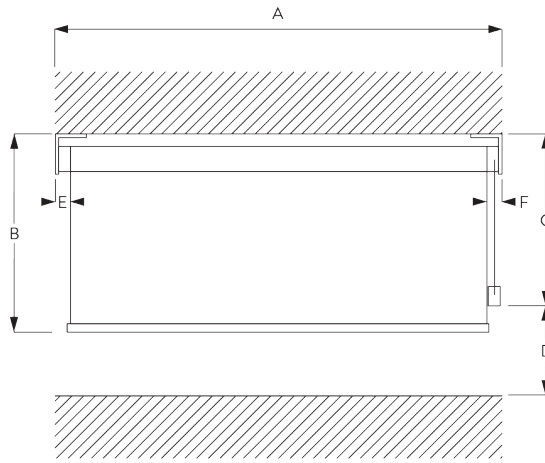
SG 4903
Bottom bar



SG 4902
Profile

C. HOW TO MEASURE

incl. bracket covers (15 mm)



A: System width
 B: System height
 C: Chain height
 D: Safety Retainer SG 10731 min. 150 cm above floor

Tube SG 4901 (ø 80 mm):
 E: Light gap: 44 mm
 F: Light gap operation side: 40 mm

Tube SG 4957 (ø 110 mm):
 E: Light gap: 42 mm
 F: Light gap operation side: 42 mm

Note:
 All measurements include 15 mm for bracket cover per side!
 These can be omitted to reduce side light gaps.

D. SPECIFICATION TEXT

Silent Gliss SG 4840 chain operated roller blind system for very heavy duty applications. Assembled complete with anodised aluminium headrail. Smooth light operation thanks to the planetary gear and no slippage due to the integrated brake. Incorporates Silent Gliss patented Quick Twist for easy on-site adjustment of the headrail to prevent fabric roll off. Fix to wall/ceiling/inside recess with stainless steel bracket combination set 4944 incorporating hook on plates to take weight of blind during installation. Optional bracket covers. Fabrics to be selected from Silent Gliss range.

FITTING

A. FITTING INFORMATION

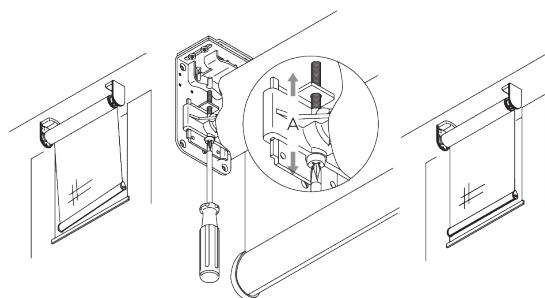
For detailed fitting information, visit the Silent Gliss website.

Fixing points



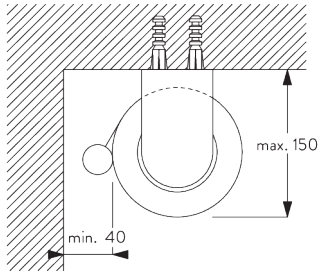
*30 mm without cover
 *43 mm with cover

Adjustable brackets (for vertical adjustments)

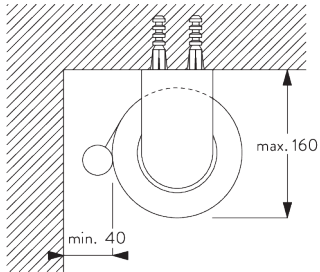


Vertical adjustment of fabric to the window frame.

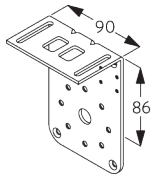
B. CEILING FITTING



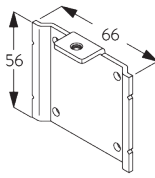
Tube SG 4901 (ø 80 mm)



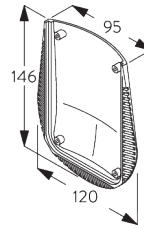
Tube SG 4957 (ø 110 mm)



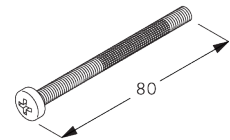
SG 4904
Bracket (set SG 4949)



SG 4906
Plate (set SG 4949)

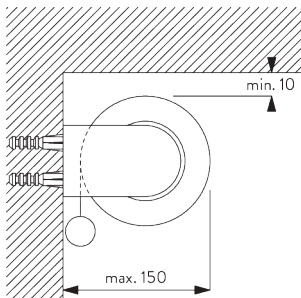


SG 4956
Bracket cover

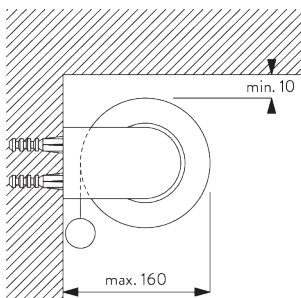


SG 4966
Special screw (set SG 4949)

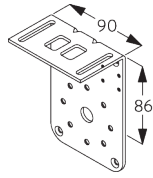
C. WALL FITTING



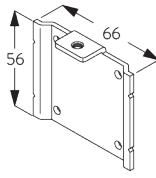
Tube SG 4901 (ø 80 mm)



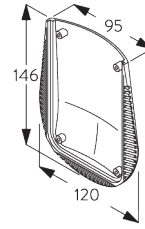
Tube SG 4957 (ø 110 mm)



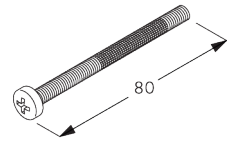
SG 4904
Bracket (set SG 4949)



SG 4906
Plate (set SG 4949)

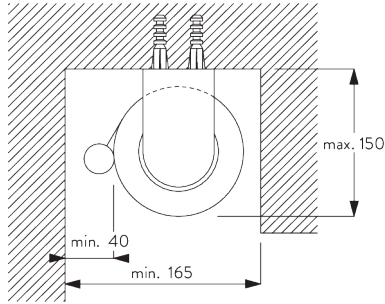


SG 4956
Bracket cover

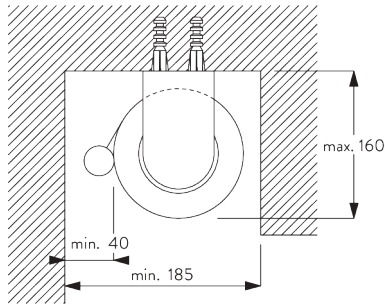


SG 4966
Special screw (set SG 4949)

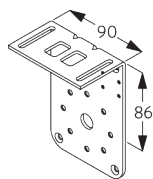
D. RECESS FITTING



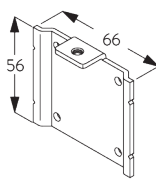
Tube SG 4901 (ø 80 mm)



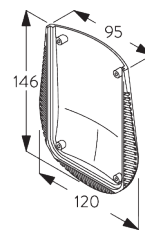
Tube SG 4957 (ø 110 mm)



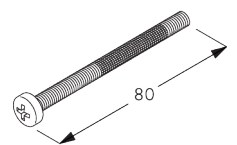
SG 4904
Bracket (set SG 4949)



SG 4906
Plate (set SG 4949)

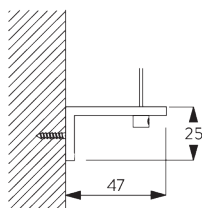


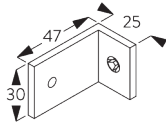
SG 4956
Bracket cover



SG 4966
Special screw (set SG 4949)

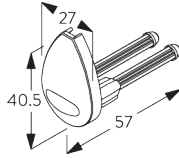
E. FITTING WITH SIDE GUIDE OPTION





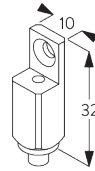
SG 3036

Bracket 47 mm



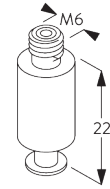
SG 4944

Side guide end cover



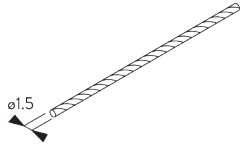
SG 4946

Side guide wire rope fastener



SG 4947

Side guide wire rope fastener

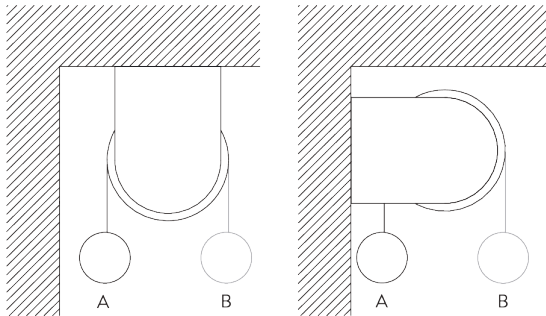


SG 4948

Side guide wire ϕ 1.5 mm

SYSTEM OPTIONS

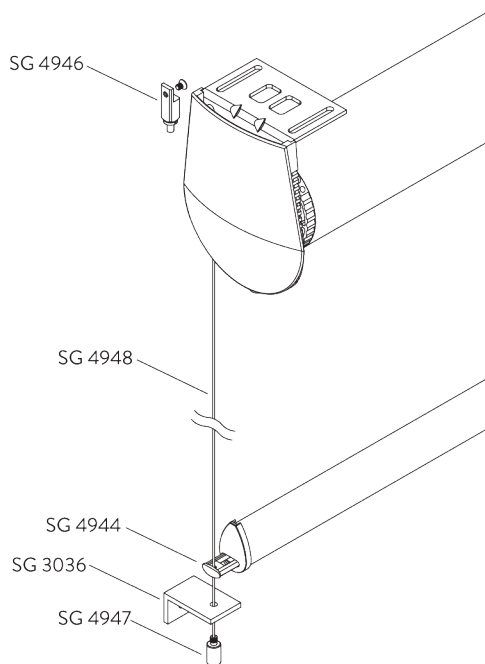
A. FABRIC ROLL-OFF



A: Fabric roll-off window side (standard)

B: Fabric roll-off room side (option)

B. SIDE GUIDES



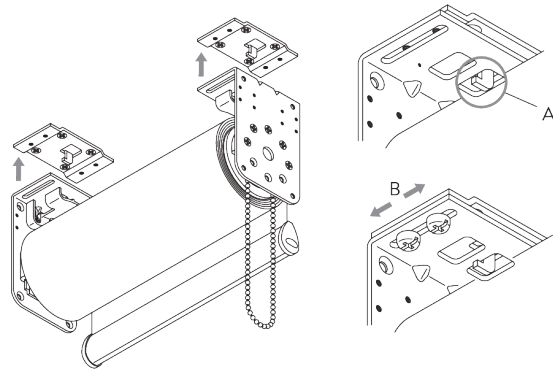
Additional parts:

- 2x SG 3036 Bracket 47 mm
- 2x SG 4944 Side guide end cover
- 2x SG 4946 Side guide wire rope fastener
- 2x SG 4947 Side guide wire rope fastener
- 2x SG 4948 Side guide wire ϕ 1.5 mm

Note:

- Light gaps increase when side-guide option is used
- Up to 15° from vertical

C. HOOK-IN INSTALLATION PLATES



A: Hook-in plates SG 4972 take the weight of the blind
B: Brackets sideways adjustable by up to 18 mm

GENERAL NOTES

Dimensions

- Measurements are in mm except where indicated.
- Max. kg relates to fabric incl. accessories (bottom bars, etc.).

Fitting


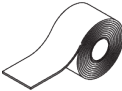




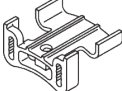

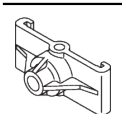
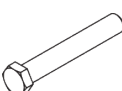
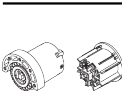
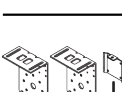
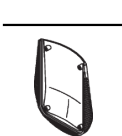
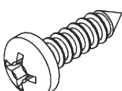
- Installation by qualified fitter only.
- Number of brackets and fitting positions / fixing points vary depending on fitting surface, system weight, fabric make-up, screw / fixing type and obstacles.
- Qualified fitter must use appropriate screws / fixings for each situation.
- Profile lip if applicable to be installed to room side.
- Electrical installations must be carried out according to Silent Gliss wiring diagrams and conform to local regulations.
- Check space for cables and plugs!

Child Safety

- All relevant Silent Gliss systems correspond to child safety EN 13120.
- All parties involved must comply with EN 13120.

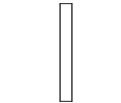
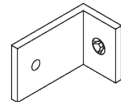
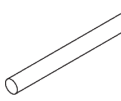
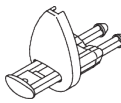
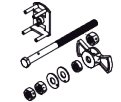
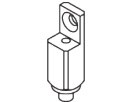


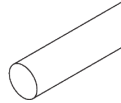
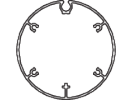
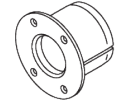
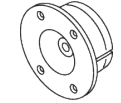
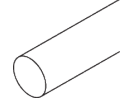
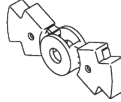
PARTS

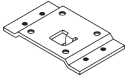
A. STANDARD PARTS

	SG 4223 PVC strip 14 mm
	SG 4226 Double tape 30 mm
	SG 4845 Bead chain metal ø 4.5 mm
	SG 4901 Tube ø 80 mm
	SG 4902 Profile
	SG 4903 Bottom bar
	SG 4908 End stop
	SG 4914 Tube adapter
	SG 4915 Support
	SG 4939 Shaft
	SG 4941 Chain drive set
	SG 4949 Bracket set
	SG 4956 Bracket cover
	SG 10503 Pan head screw 3.5x13

	SG 10505 Pan head screw Freedrive M4x8
	SG 10507 Pan head screw 3.5x6.5
	SG 10509 Countersunk head screw M5x8
	SG 10731 Child safety retainer set
	SG 11178 End cover

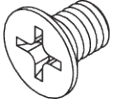
B. OPTIONAL PARTS

	SG 2006 Bottom bar 28x3 mm
	SG 3036 Bracket 47 mm
	SG 4943 Rod ø 4 mm
	SG 4944 Side guide end cover
	SG 4945 End stop set
	SG 4946 Side guide wire rope fastener
	SG 4947 Side guide wire rope fastener
	SG 4948 Side guide wire ø 1.5 mm
	SG 4951 Bottom weight ø 8 mm
	SG 4957 Tube ø 110 mm
	SG 4958 Tube adapter
	SG 4961 Tube adapter
	SG 4963 Rod ø 6 mm
	SG 4965 End stop flange



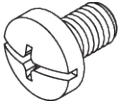
SG 4972

Installation plate



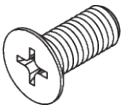
SG 10502

Countersunk head screw M4x6



SG 10504

Pan head screw Freedrive M5x8



SG 10508

Countersunk head screw M5x12
