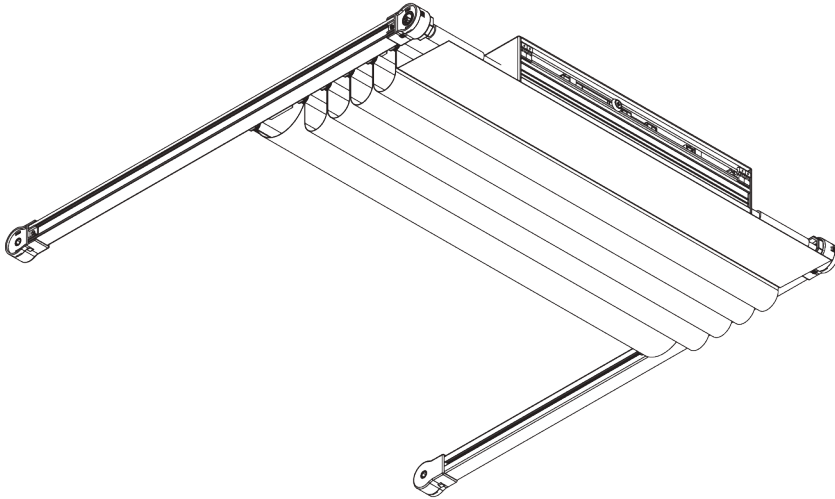
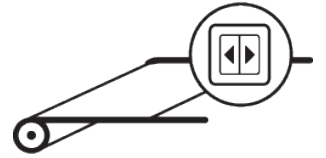


# SG 2195

---



## PRODUCT INFORMATION

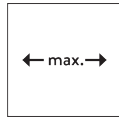
- **Operation:** motorised
- **Range:** S - L
- **Fitting:** ceiling, wall, recess
- **Colours:** white RAL 9016 or anodised aluminum, special colours possible
- **Fabrics:** refer to Silent Gliss fabric collection

### **Features:**

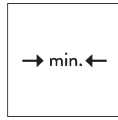
- Bendable
- Sloping
- Three connected systems
- Various control options

# SYSTEM SPECIFICATIONS

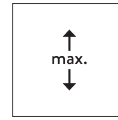
## A. SYSTEM DIMENSIONS



2.5 m



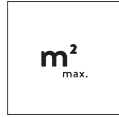
60 cm



6 m



25 kg



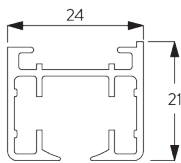
15 m<sup>2</sup>

## Max. system sizes and weights

SG 2195		kg max.	A	B	SG 2195		kg max.	A	B
		18	3 m	6 m			18	3 m	6 m
		18	6 m	6 m			18	6 m	6 m
		18	6 m	5 m			18	6 m	6 m
		25	3 m	6 m			18	3 m	6 m
		25	6 m	6 m			18	6 m	5 m
		25	6 m	6 m			18	6 m	5 m
		25	3 m	6 m			10	3 m	4 m
		25	6 m	6 m			10	6 m	4 m
		25	6 m	6 m			10	6 m	3 m

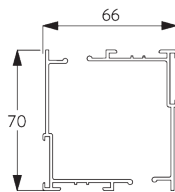
## B. PROFILE

### Profile and bending information



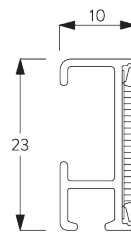
SG 2191

Profile



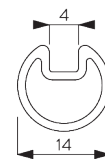
SG 2151

Profile



SG 2116

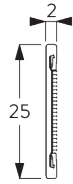
Velcro profile



SG 2156

Shaft

Radius: >25 cm



**SG 2510**

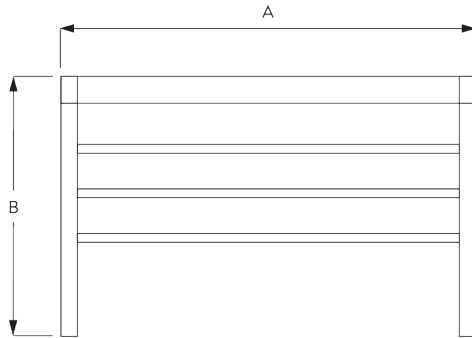
Velcro profile



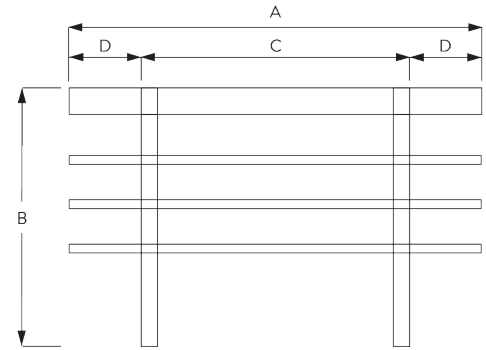
**SG 2759**

Profile

### C. HOW TO MEASURE



A: System width  
B: System height



A: System width  
B: System height  
C: Base system  
D: Cantilever max. 80 cm

### D. SPECIFICATION TEXT

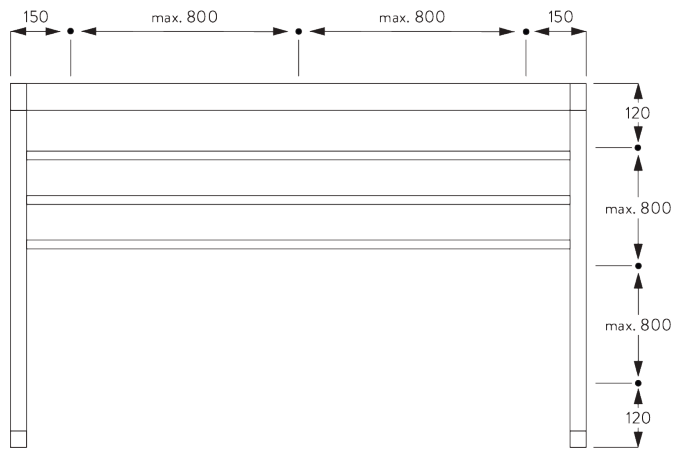
**Silent Gliss SG 2195 Electrically Operated Skylight System.** Supplied made to measure and complete comprising aluminium headbox SG 2151 with enclosed motor SG 2160 complete with drive shaft SG 2156, clamps SG3004, aluminium side guide profiles SG 2191 in silver / white / bronze / black side fixed with SG 3825 clamps at 30cm centres, Glider 2145, Heavy duty cross rod SG 2248, Cross rod SG 2759, Velcro profile SG 2116, Connector SG 2242, Top fix bracket SG 3603. Optional fixing brackets SG 3036/3825 / SG 2138 / SG 2139. Can be single, double or triple operation from one motor controlled by fixed switch / third party control system subject to suitable interface by others party / Silent Gliss SG 9940/0450 radio control systems via external receiver. All radio control components supplied at additional cost. All wiring to be strictly in accordance with Silent Gliss wiring diagrams. Fabric to be chosen from the Silent Gliss fabric range relevant to this product group.

# FITTING

## A. FITTING INFORMATION

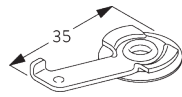
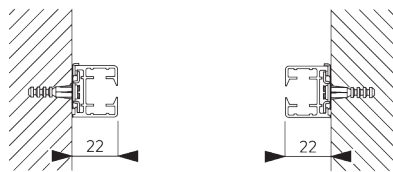
For detailed fitting information, visit the *Silent Gliss* website.

### Fixing points



## B. INSIDE FITTING

### Clamp SG 3825

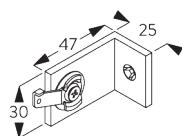
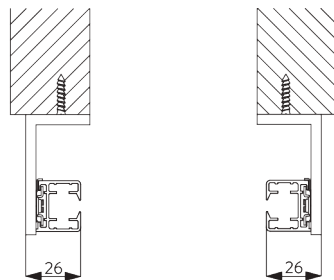


**SG 3825**

Clamp

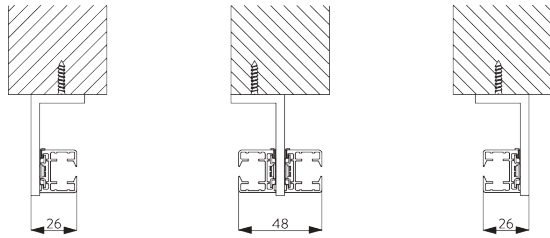
## C. FACE FITTING

### Bracket SG 3181

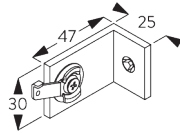


**SG 3181**

Bracket with 1 clamp



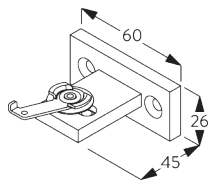
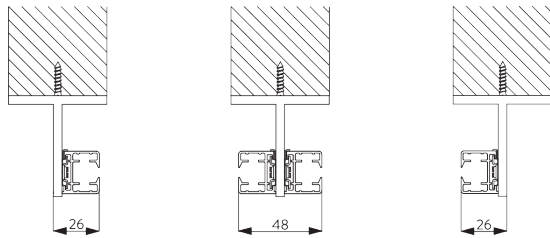
Double system



**SG 3181**

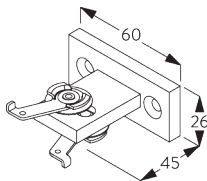
Bracket with 1 clamp

**T-Bracket SG 2138 /  
SG 2139**



**SG 2138**

T-bracket 1 clamp

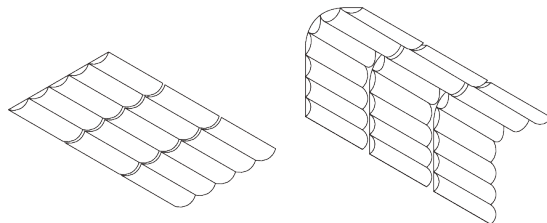


**SG 2139**

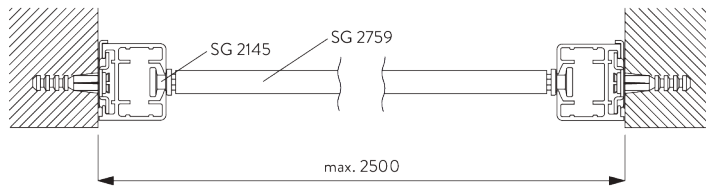
T-bracket 2 clamps

# SYSTEM OPTIONS

**A. THREE  
CONNECTED  
SYSTEMS**

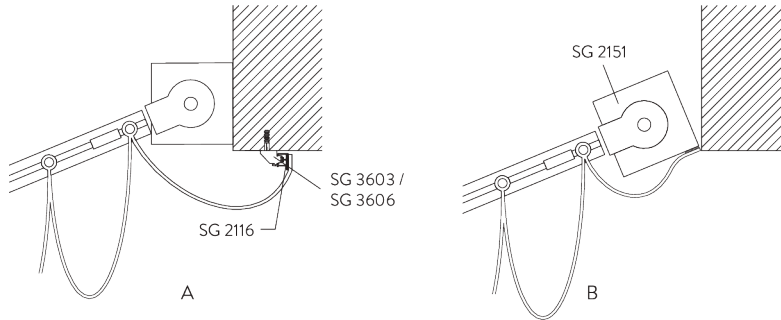


## B. INSTALLATION OPTIONS



- SG 2145: Glider
- SG 2759: Profile

## C. FABRIC FIXING



A: Fixing of fabric with profile SG 2116 (standard)

B: Fixing of fabric directly on headrail cassette

# MOTOR & CONTROLS

## A. MOTOR FEATURES

Motors	SG 2160	SG 11328
<b>Motor Features</b>		
Mechanical end-stop	●	●
Mechanical revolution counter (limited revolution)	●	●
Noiseless stop	●	●
IP class	IP 44	IP 44
<b>Control Features</b>		
Mains power control	●	●
SG Control L (external receiver required)	●	●
SG Control R (external receiver required)	●	●
Suitable for most major home automation systems (with suitable interface)	●	●

## B. MOTOR SPECIFICATIONS

Motors	Voltage	Current	Frequency	Speed
SG 2160	230 V AC	0.5 A	50 Hz	26 rpm
SG 11328	120 V AC	1.3 A	60 Hz	30 rpm

**C. OPERATING  
METHODS**

See catalogue "controls" for details.

**Wall Switch**



System can be operated by fixed wall switch.

**SG Control L**



Various radio hand-held and wall transmitters available.  
An external receiver is required.



Silent Gliss Move App.

**SG Control R**



Various radio hand-held and wall transmitters available.  
An external receiver is required.

**D. WIRING  
DIAGRAMS**



Refer to Silent Gliss website.

# GENERAL NOTES

## **Dimensions**

- Measurements are in mm except where indicated.
- Max. kg relates to fabric incl. accessories (cross rods, etc.).
- Stack size depends on fabric make-up where applicable.

## **Fitting**

- Installation by qualified fitter only.
- Number of brackets and fitting positions / fixing points vary depending on fitting surface, system weight, fabric make-up, screw / fixing type and obstacles.
- Qualified fitter must use appropriate screws / fixings for each situation.
- Electrical installations must be carried out according to Silent Gliss wiring diagrams and conform to local regulations.
- Check space for cables and plugs!

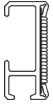
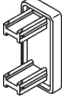
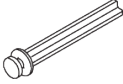

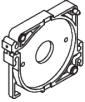
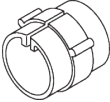


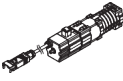
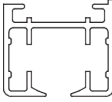
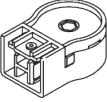
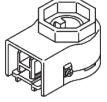
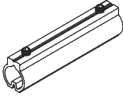
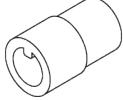
## **Child Safety**

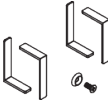

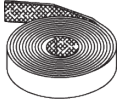
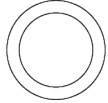

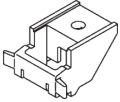

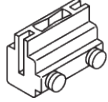
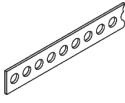

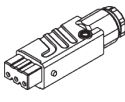
- All relevant Silent Gliss systems correspond to child safety EN 13120.
- All parties involved must comply with EN 13120.



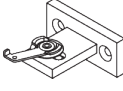
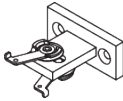
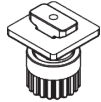
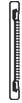
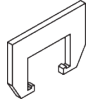
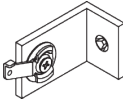

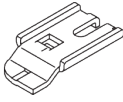
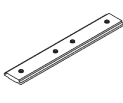

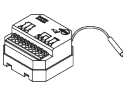
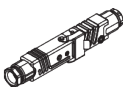
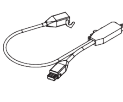
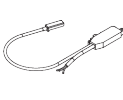
# PARTS

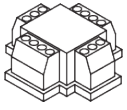
## A. STANDARD PARTS

	<b>SG 2116</b> Velcro profile
	<b>SG 2131</b> End cover
	<b>SG 2145</b> Glider
	<b>SG 2151</b> Profile
	<b>SG 2152</b> Bearing shell
	<b>SG 2153</b> Pulley
	<b>SG 2154</b> End cover
	<b>SG 2156</b> Shaft
	<b>SG 2160</b> Motor 230V AC, JA 06/26 soft
	<b>SG 2191</b> Profile
	<b>SG 2193</b> Guide return
	<b>SG 2230</b> Drive
	<b>SG 2242</b> Connector
	<b>SG 2245</b> Shaft connector

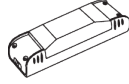
	<b>SG 2247</b> Set Elero 230V
	<b>SG 2248</b> Profile
	<b>SG 2539</b> Tape
	<b>SG 2759</b> Profile
	<b>SG 3004</b> Clamp
	<b>SG 3603</b> Bracket
	<b>SG 3825</b> Clamp
	<b>SG 5005</b> Belt connector
	<b>SG 5130</b> Driving belt
	<b>SG 6086</b> Spring stop
	<b>SG 9917</b> Hirschmann portable socket-outlet STAK 3 N

## B. OPTIONAL PARTS

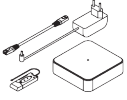
	<b>SG 2138</b> T-bracket 1 clamp
	<b>SG 2139</b> T-bracket 2 clamps
	<b>SG 2255</b> Brake
	<b>SG 2510</b> Velcro profile
	<b>SG 2613</b> Connector
	<b>SG 3181</b> Bracket with 1 clamp
	<b>SG 3606</b> Clip
	<b>SG 3832</b> Bracket
	<b>SG 5115</b> Connection bridge
	<b>SG 5736</b> Relay socket
	<b>SG 9068</b> Radio receiver Revio
	<b>SG 9916</b> Hirschmann plug set
	<b>SG 9944</b> Radio receiver 1 channel
	<b>SG 9945</b> Radio receiver 1 channel

**SG 9959**

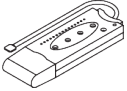
Central control unit relay

**SG 20919**

Control module motor type R

**SG 9960**

Move server set

**SG 9961**

Move transmitter

**SG 10300**

Radio hand held 1 channel

**SG 10302**

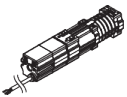
Radio hand held 5+1 channel

**SG 10303**

Radio hand held 10+2+1 channel

**SG 10804**

Radio hand held 15+5+1 channel

**SG 11328**

Motor 120V AC, JA 08/30 soft, UL

**SG 11480**

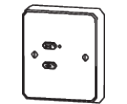
Radio wall transmitter 1 channel

**SG 11490**

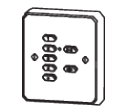
Radio wall transmitter 5+1 channel

**SG 20336**

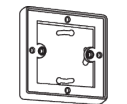
Hand held transmitter 8 channel

**SG 20913**

Wall switch single channel

**SG 20914**

Wall switch 8 channel

**SG 20917**

Patress box



