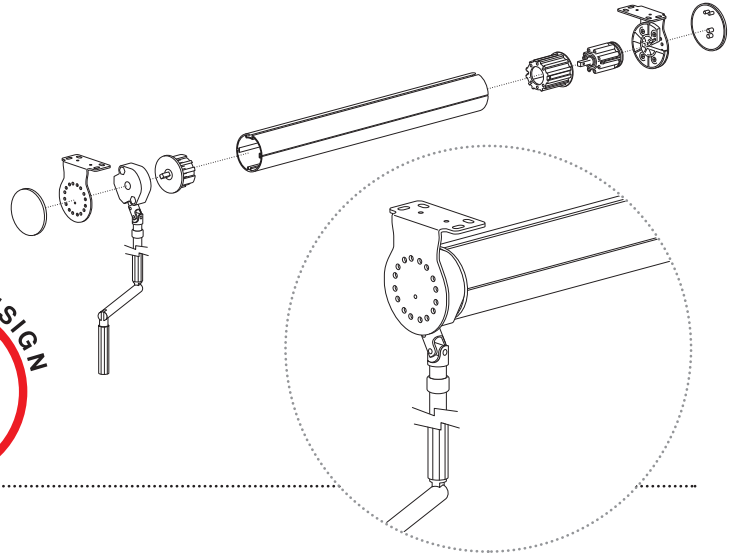




RBXL-G Heavy Duty Crank Operated Roller Blind System

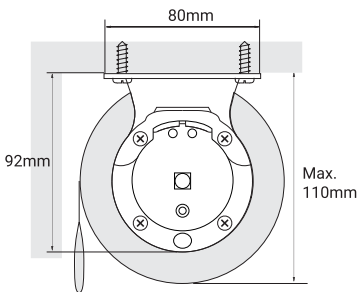
Features and benefits

- Heavy duty extruded 60mm or 80mm diameter aluminium rollers
- With RBXL link brackets up to 5 blinds can be controlled simultaneously
- Brackets for fixing in any situation
- Choice of fixed or detachable crank handle
- Aluminium hem bars in silver anodized or white powder coated aluminium. Any RAL colour can be specified to special order
- Safe by design – meets BS EN 13120 child safety requirements

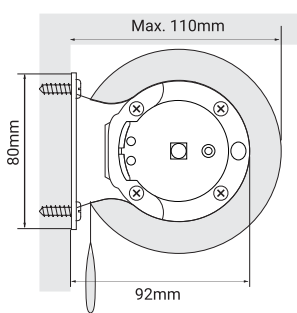


Fixing brackets

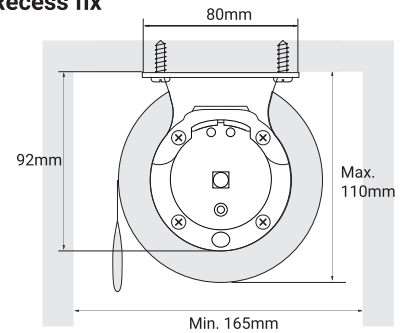
Ceiling fix (top fix)



Wall fix (face fix)

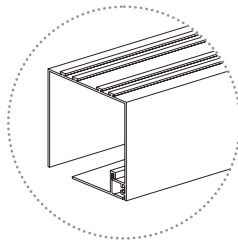
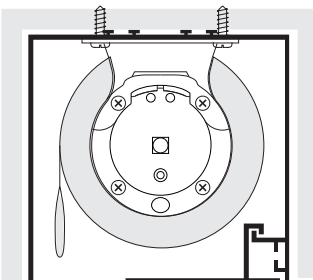


Recess fix



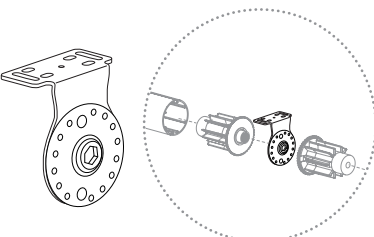
Ceiling pocket

- Custom made ceiling pockets available in any powdercoat RAL colour

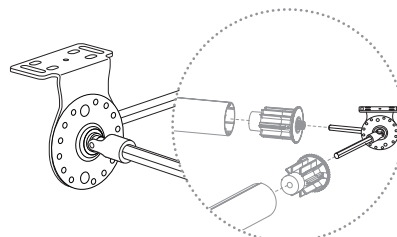


Bracket options

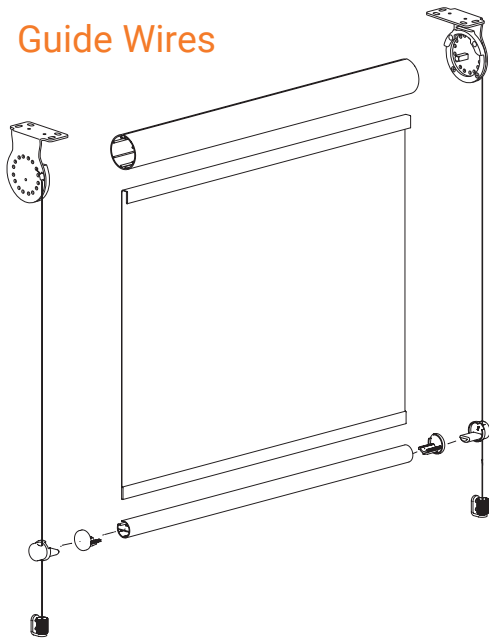
In-line bracket (linked blinds)



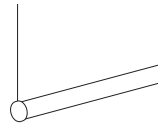
Angled bracket (linked blinds)



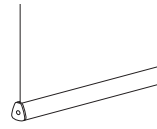
Guide Wires



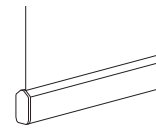
Bottom bar options



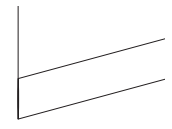
Round



Teardrop



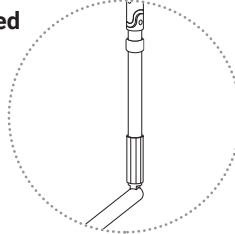
Rectangular



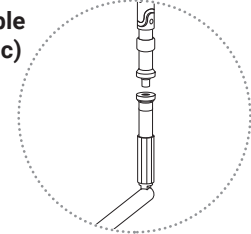
Fabric enclosed

Crank handle options

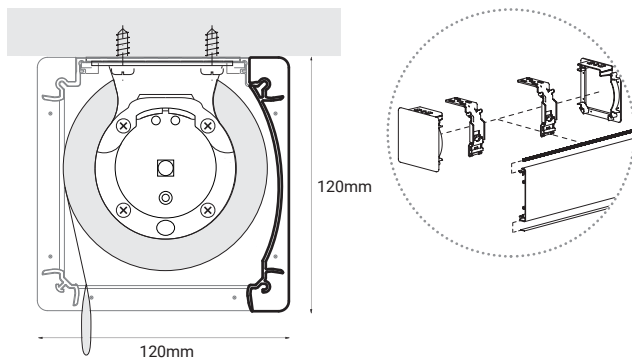
Fixed



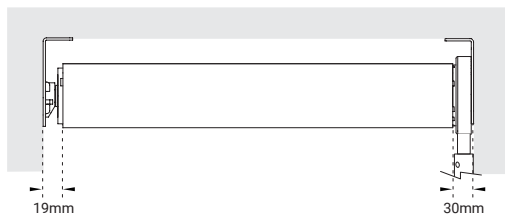
Detachable
(magnetic)



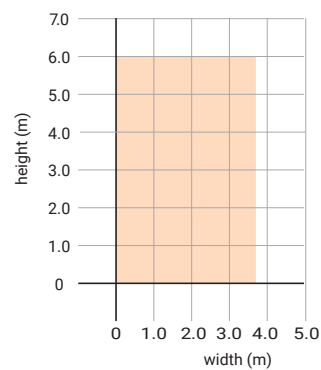
Fascia



Light gap – single blind

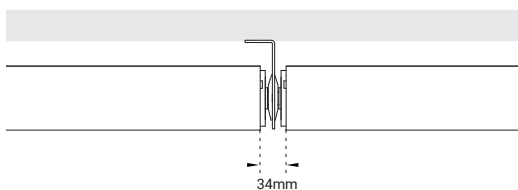


Size parameters



Greater overall widths can be achieved by using linked blinds

Light gap – linked blinds



CAD & BIM details available at www.waverley.co.uk



This publication is based on the latest data available at the time of printing. Due to product changes, improvements and other factors, the Company reserves the right to change or withdraw information contained herein without prior notice. The photography shown in the document should not necessarily be taken as recommendations of good practice. The printing process restricts the exact representation of colours. For true colour reference, please request product samples.



Fabric choice

The entire ShadeTech® fabric range is suitable for use with ShadeTech® RBL and RBXL roller blinds.

Alternatively, they can be manufactured using the fabric selected by the specifier or client.

Maintenance

ShadeTech® Roller Blinds are made from high quality materials. Cleaning regime depends upon fabric specified. Most can be wiped clean with a damp cloth.

Quality and Guarantee

ShadeTech® Roller Blinds are manufactured and installed in accordance with a quality system certified under EN ISO 9001:2000. They are rigorously tested to guarantee trouble free operation, and are designed with Health and Safety and environmental standards in mind.

The hardware systems carry a 5 year guarantee.

Basic specification wording

ShadeTech® Heavy Duty Roller Blinds System RBL [add suffix as above] with 40/45mm extruded aluminium roller barrel. Controls to be by [side chain with assist spring] [gearbox and crank handle] [motorized with 230V tubular electric motor]. Extruded bottom bar in [white] or [silver] aluminium. Fabric to be...

ShadeTech® Heavy Duty Roller Blinds

System RBXL [add suffix as above] with 60/80mm extruded aluminium roller barrel. Controls to be by [side chain with assist spring] [gearbox and crank handle] [motorized with 230V tubular electric motor]. Extruded bottom bar in [white] or [silver] aluminium. Fabric to be...

Options: Blinds linked [in line] [at up to max 90°] for operation from single chain control/crank handle/motor; Double system with 2 rollers, fabrics to be and; Side wire guides.

Blinds to be supplied and installed by Waverley Contract and Supply Ltd., Rowan House, Guildford Road Trading Estate, Farnham, Surrey, UK, GU9 9PZ, Tel 01252 737973, E-mail sales@waverley.co.uk

Do not hesitate to contact us on 01252 737973 for assistance with specification wording for the blinds to suit your project.

Specifications available on NBS Plus.