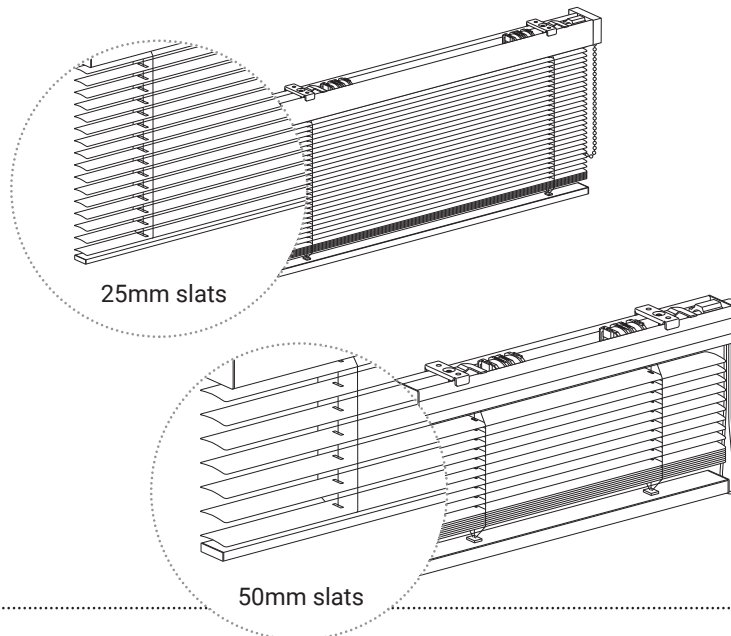




VB-M Mono Cord Operated Venetian Blind System

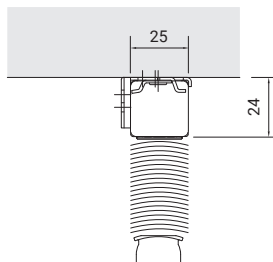
Features and benefits

- Corrosion resistant roll formed steel headrail
- Choice of 25mm and 50mm wide slats
- Headrail and bottom rail and all cords match slat colour
- Concealed brackets give neat finish
- Single chain/cord to raise/lower blind

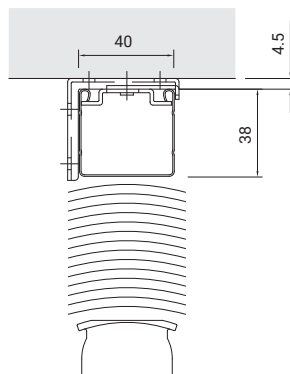


Fixing brackets

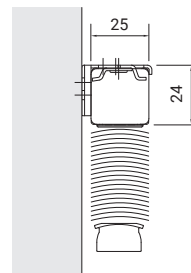
Ceiling fix (top fix) 25mm



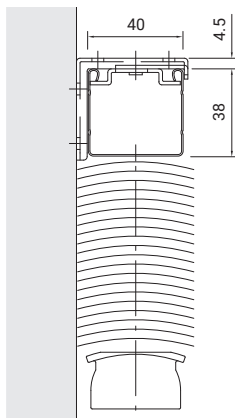
Ceiling fix (top fix) 50mm



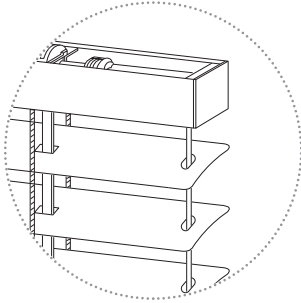
Wall fix (face fix) 25mm



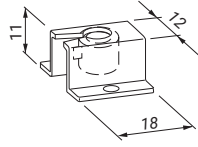
Wall fix (top fix) 50mm



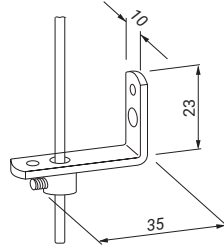
Guide wires



Cill fix bracket

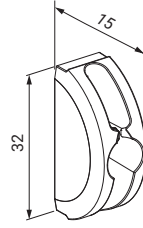


Face fix bracket

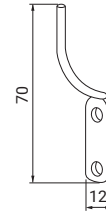


Safety cord retainer

25mm

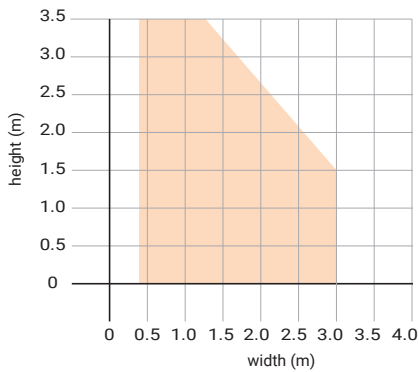


50mm

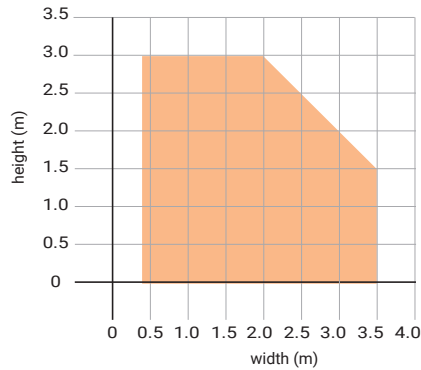


Size parameters

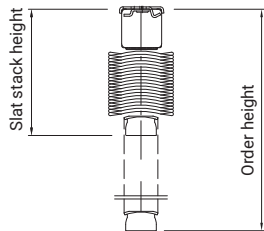
VB-M series (25mm)



VB-M series (50mm)



Slat stack heights



Size of slat	Order height (mm)															
25mm	600	700	800	900	1000	1100	1200	1300	1400	1500	1600	1700	1800	1900	2000	
50mm	70	70	75	75	80	80	85	85	90	90	95	95	100	100	105	

Size of slat	Order height (mm)															
25mm	2100	2200	2300	2400	2500	2600	2700	2800	2900	3000	3100	3200	3300	3400	3500	
50mm	105	110	110	115	115	120	120	125	125	130	130	135	135	140	140	

CAD details available at www.waverley.co.uk





This publication is based on the latest data available at the time of printing. Due to product changes, improvements and other factors, the Company reserves the right to change or withdraw information contained herein without prior notice. The photography shown in the document should not necessarily be taken as recommendations of good practice. The printing process restricts the exact representation of colours. For true colour reference, please request product samples.



Slat choice

A wide range of colours is available including options of mirror and perforated slats. Please ask for a colour swatch.

Maintenance

ShadeTech® Venetian Blinds are made for high quality materials and require minimal maintenance. Occasional lubrication of cord mechanisms may be required. Slats can be wiped clean with a damp cloth.

Quality and Guarantee

ShadeTech® Venetian Blinds are manufactured and installed in accordance with a quality system certified under ISO9001:2008. They are rigorously tested to guarantee trouble free operation and are designed with Health and Safety in mind. They carry a 5 year guarantee.

Typical specification clause

ShadeTech® Venetian Blind System VB:
[add suffix as above] with [25mm/50mm] aluminium slats. Controls to be by [cord and wand] [mono cord] [geared crank rod] [motorized with 230V tubular motor]. Slat colour... with match cords, headrail and bottom rail.

Blinds to be supplied and installed by Waverley Contract and Supply Ltd., Rowan House, Guildford Road Trading Estate, Farnham, Surrey, UK, GU9 9PZ, Tel 01252 737973, E-mail sales@waverley.co.uk

Do not hesitate to contact us on 01252 737973 for assistance with specification wording for the blinds to suit your project. Specifications available on NBS Plus.