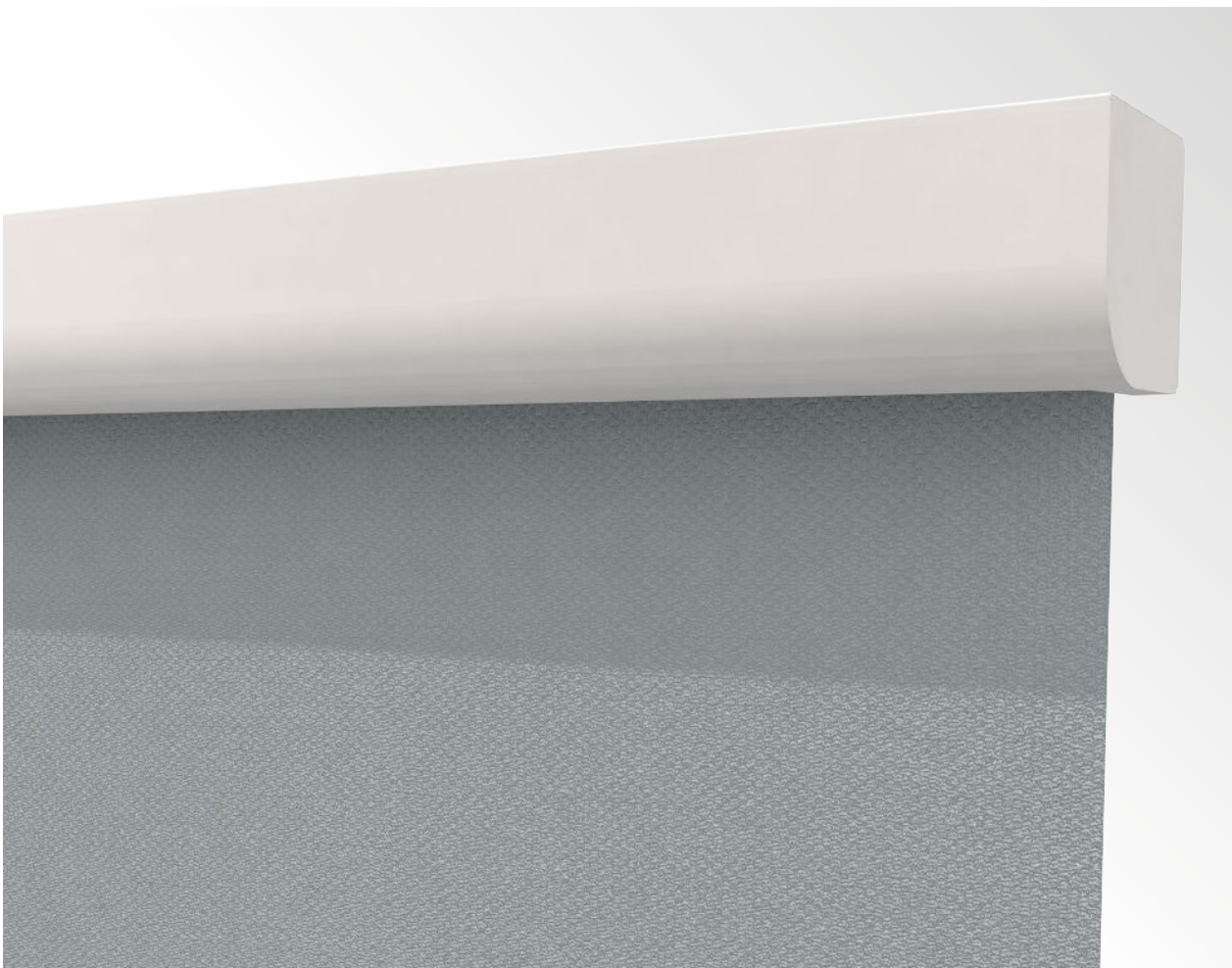


Data Sheet

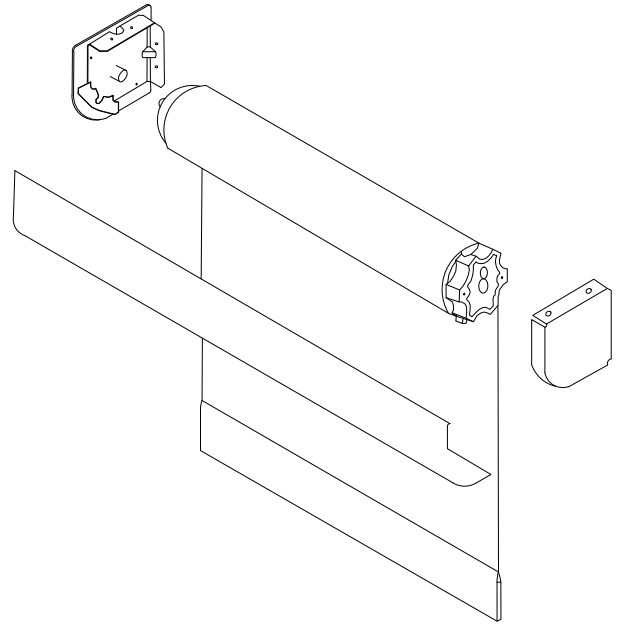
Draper FlexShade 2 Motorised Roller Blind System



Features and Benefits

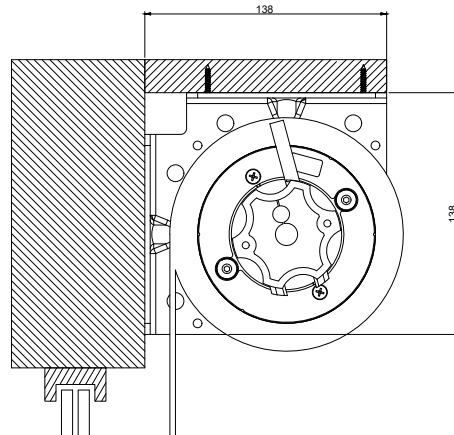
- Heavy duty steel mounting brackets with end cap covers
- Wide choice of motors and control options
- Low maintenance fabrics (see separate data sheet)
- Multiple hardware options including brackets (standard), fascia with end caps and full headbox

Configuration

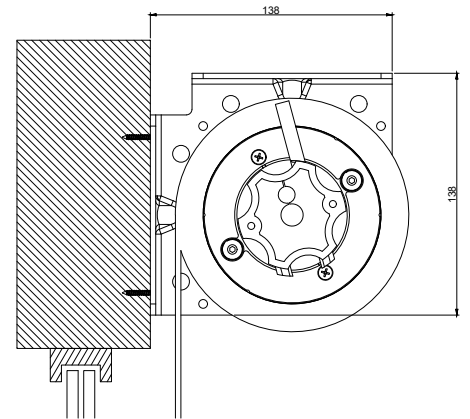


Fixing Brackets

Top Fix

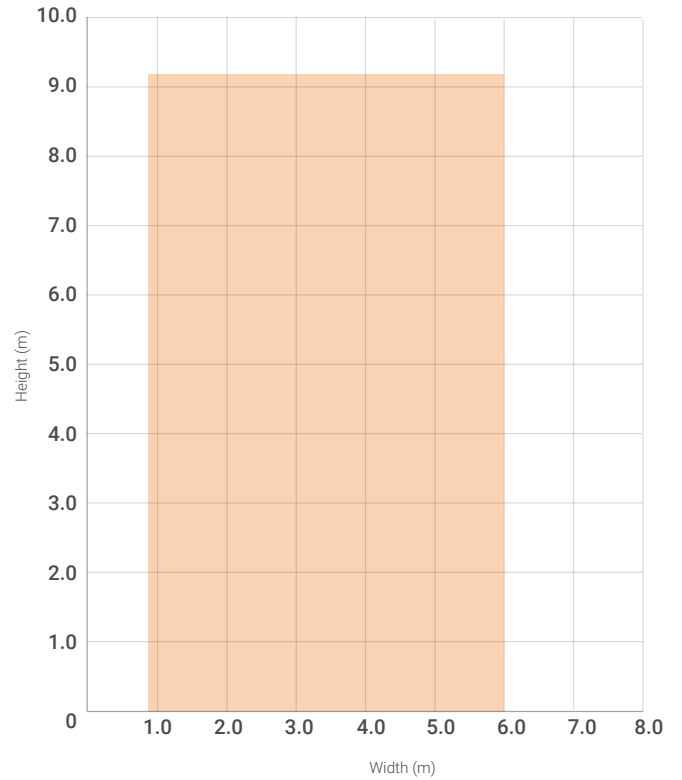


Wall Fix

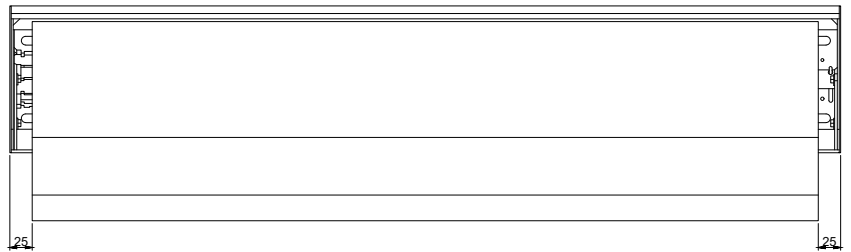


Size Parameters

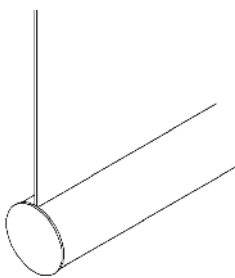
Minimum width: 910mm
 Maximum width: 6000mm
 Maximum drop: 9100mm



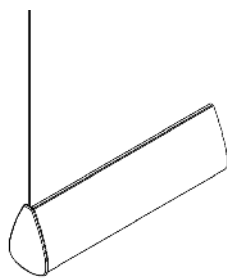
Light Gaps



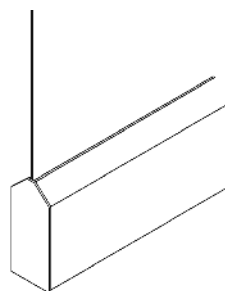
Bottom Bar Options



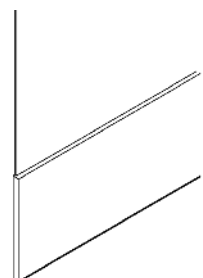
Round



Teardrop*



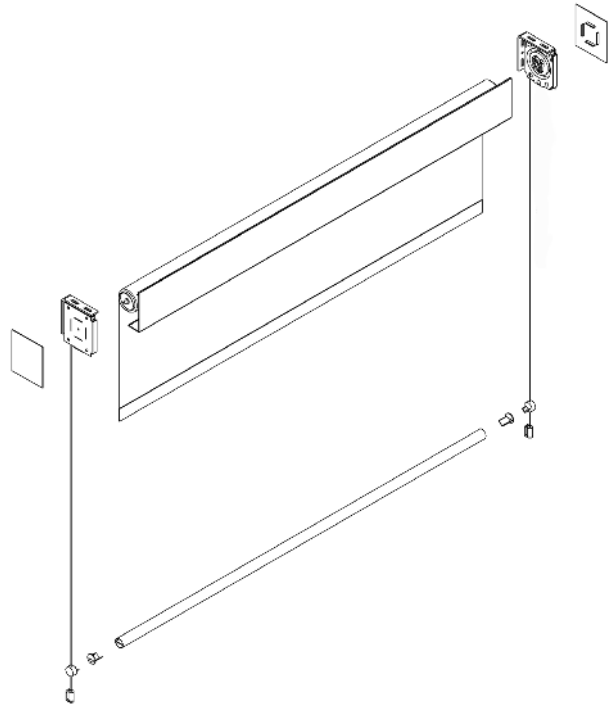
Rectangular



Fabric Enclosed

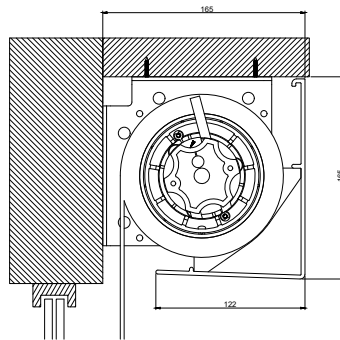
*Only option available for use with side guide wires

Guide Wires

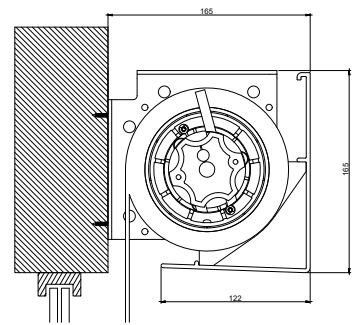


Fascia: Square

Top Fix

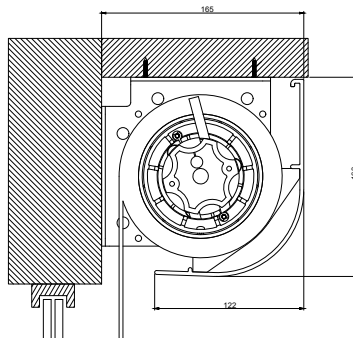


Wall Fix

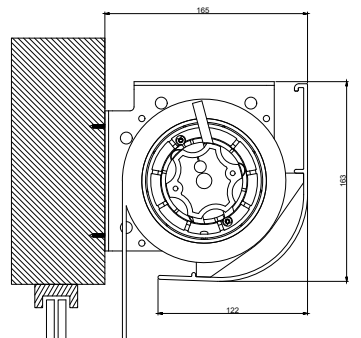


Fascia: Radiused

Top Fix

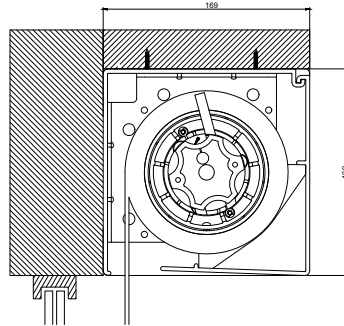


Wall Fix

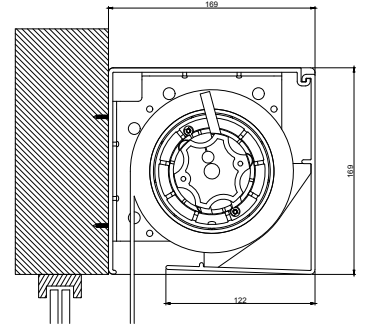


Cassette: Square

Top Fix

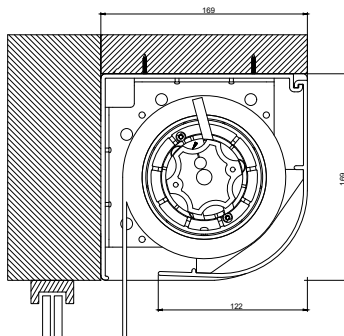


Wall Fix

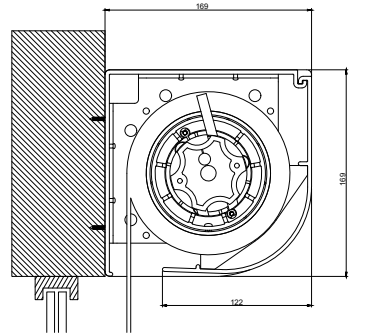


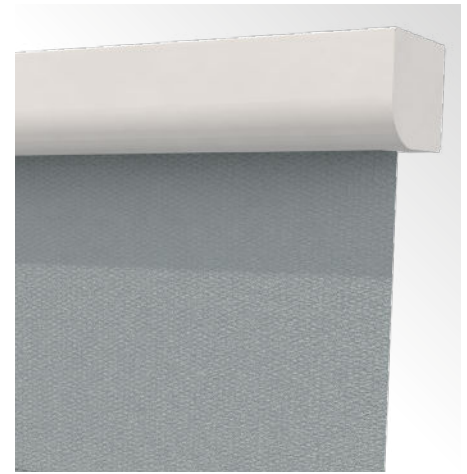
Cassette: Radiused

Top Fix



Wall Fix





Fabric Choice

The entire ShadeTech fabric range is suitable for use with Draper FlexShade 2 roller blinds. Alternatively they can be manufactured using fabric selected by specifier or client.

Maintenance

Draper FlexShade 2 roller blinds are made from high quality materials. Cleaning regime depends on fabric specified. Most can be wiped clean with a damp cloth.

Quality and Guarantee

Draper warrants to the end user that its products are free from defects in the material and workmanship for a period of 25 years for the mounting hardware and fascia and five years for the motor.