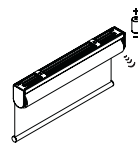


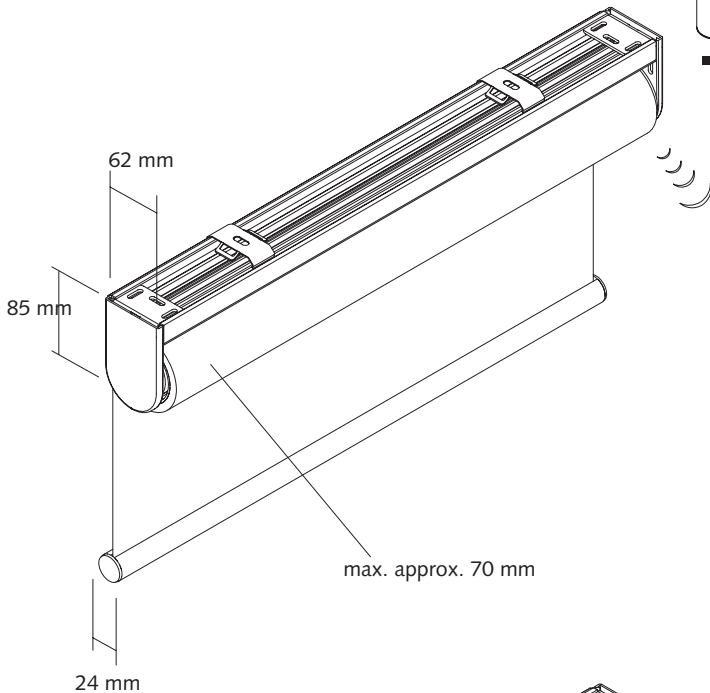
ECOTRIC PLUS I RTS TECHNIQUE MOTOR 24 V



Technique

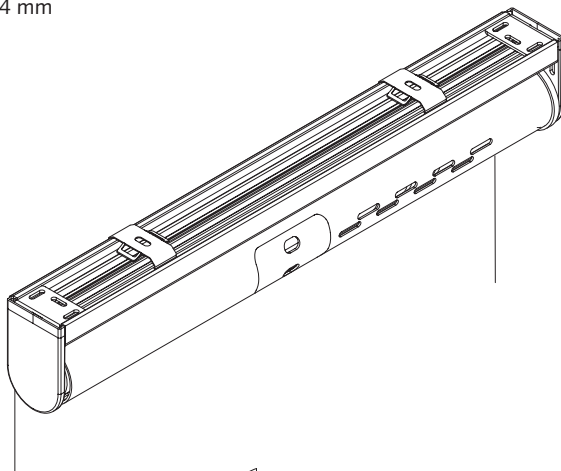


The patented high tech roller blind with an ingenious interaction of material and technique. Complete and ready for installation with head profile and clips, tube approx. Ø 51 mm, motor on the left side.



- Ultra quiet operation, without noise interference
- Spring balanced gearing
- Low energy requirement
- No need for cables
- Integrated radio receiver
- Touch-motion control to move blind up
- Integrated battery compartment withing the tube
- Long life 1.5 V batteries
- Performance approx. 4-7 years

Colours Standard anodized aluminium/grey
Standard white RAL 9016
Other colours upon inquiry



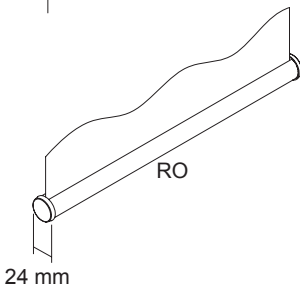
Motor **Qmotion**[®]
advanced shading systems

DC motor, 24 volt control system
Voltage: 6-9 volt
Integral slip clutch
With overload protection

Battery Duracell Procell LR 20, 1.5 V (included in delivery and integrated in tube)

Width up to 63 cm 4 batteries
Width up to 107 cm 4 batteries
Width up to 245 cm 6 batteries

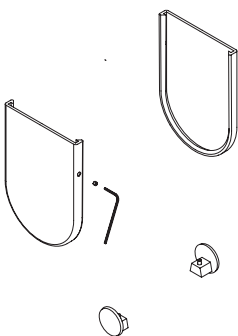
Bottom bar RO Bottom weight aluminium



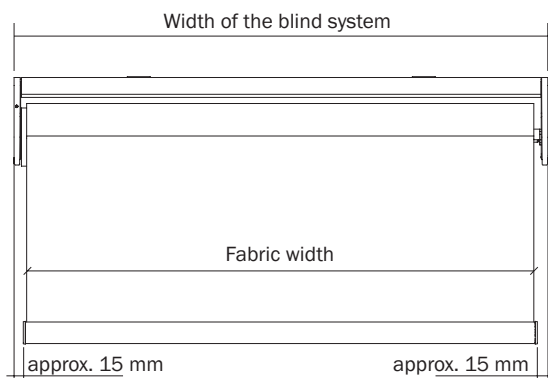
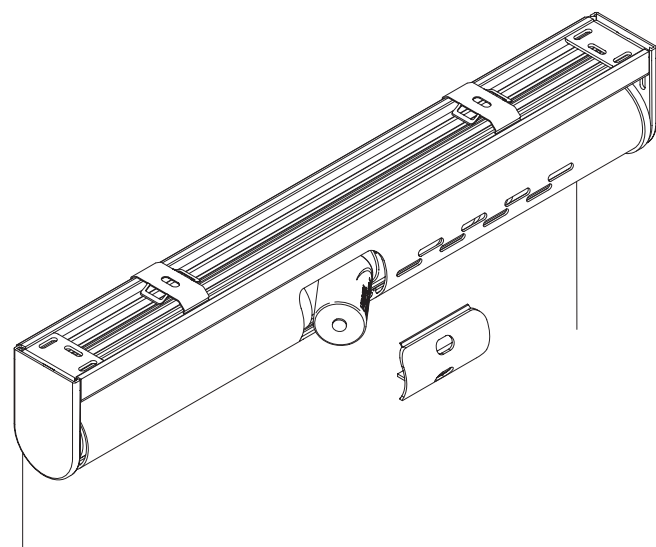
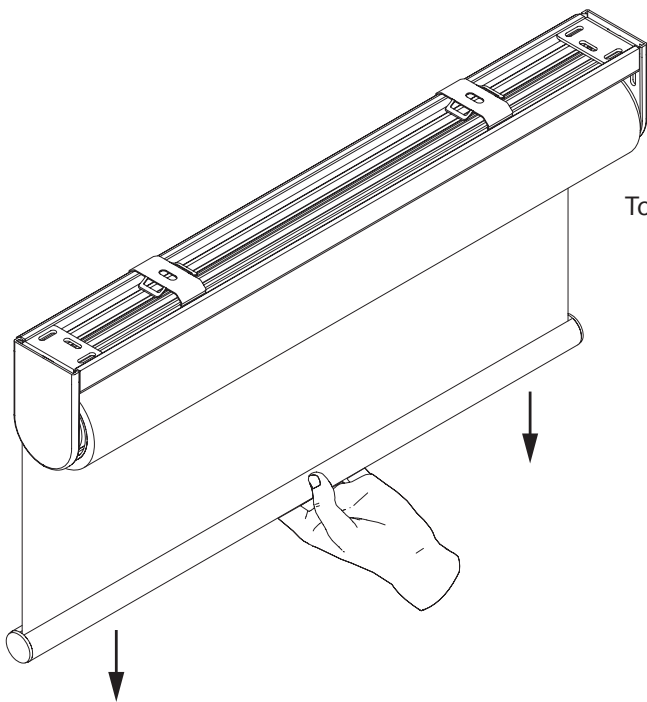
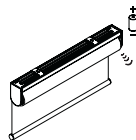
Colours Standard anodized aluminium/grey
Standard white RAL 9016
Other colours upon inquiry

Option:
ELOX E'PLUS I
Design

High-quality side cover on top and caps RO and SL weight in anodized aluminium, to match the anodized aluminium head profile/bottom bar, instead of the plastic option



ECOTRIC PLUS I RTS TECHNIQUE MOTOR 24 V



End stop

Limit switch preset for bottom at the works, individually adjustable top and bottom on site

Touch Motion

Also operable without the remote control. The motor is activated by pulling lightly by hand on the bottom bar (approx. 5 cm) and the curtain then moves automatically upwards

Slip clutch

If necessary, the blind can be slowly pulled down to the required position by hand on the bottom bar. Then use the touch motion function or the radio transmitter to roll it up automatically

Change of battery

1. Press the button DOWN until the roller blind stays at the lowest end position.
2. Pull briefly by hand on the bottom bar (approx. 10 cm) so that the roller blind lifts to the 75% position
3. Pull the curtain down by hand on the bottom bar until you can see the battery compartment
4. Take off the grey battery cap and replace the batteries, then replace the cap (lined up with the shaft)
5. Press the button UP and the roller blind lifts to the top position

Battery

Replacement battery DURACELL PROCELL LR 20, 1.5 V MN 1300

Measures

Max. width 245 cm
Max. height 260 cm

Fabric reeling

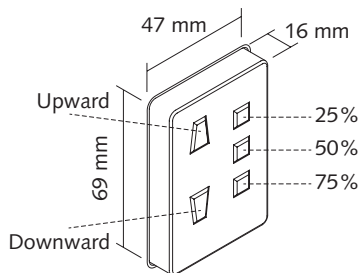
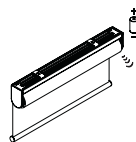
Standard backward reeling for fixation on ceiling or wall

Forward reeling on request only for fixation on ceiling possible

Fabric width

Roller blind width – approx. 3.0 cm

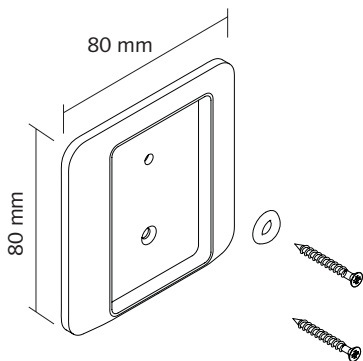
ECOTRIC PLUS I + II RTS CONTROL



Radio Transmitter
1-channel

QMotion manual single channel radio transmitter 5 buttons for upwards, downwards and in-between stops at 25%, 50% and 75% of the height of the system
Magnetic back surface for wall mounting (optional)

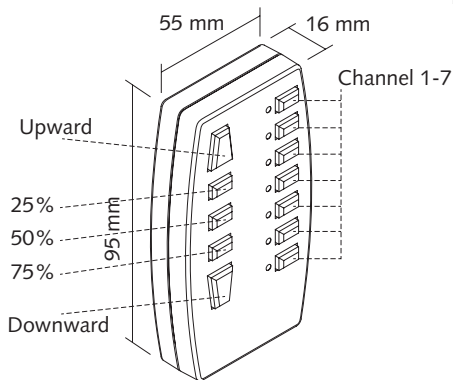
Colours white



QMotion wall mounting, manual single channel radio transmitter
With integral magnet holder

Colours white

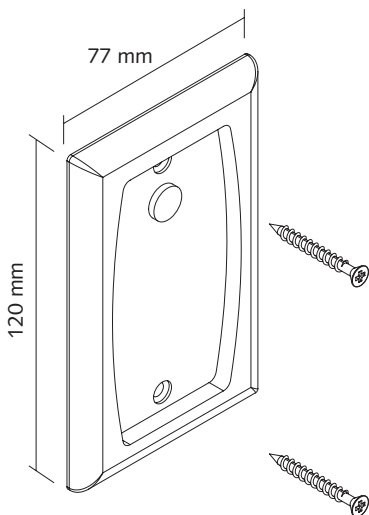
Overall depth of wall mounting / manual radio transmitter: 22 mm



Radio Transmitter
7-channel

QMotion manual 7 channel radio transmitter
5 buttons for upwards, downwards and in-between stops at 25%, 50% and 75% of the height of the system
Up to 6 individual or group settings.
Channel 7 controls all the roller blinds together, LED display for controlled unit
Magnetic back surface for wall mounting (optional)

Colours white

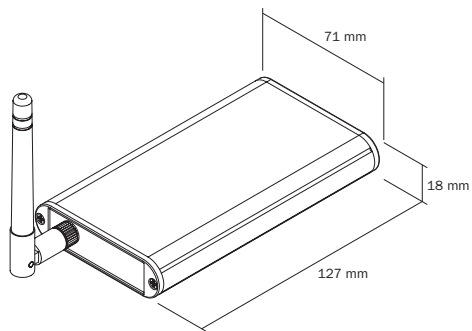
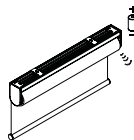


QMotion wall mounting, 7-channel radio transmitter
With integral magnet holder

Colours white

Overall depth of wall mounting / manual radio transmitter: 24 mm

ECOTRIC PLUS I + II RTS CONTROL

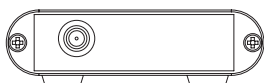


App Control
QSync

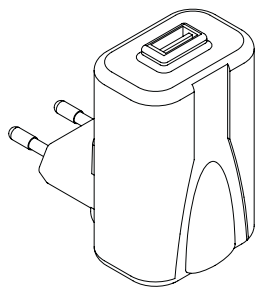
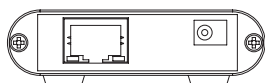
QMotion App and the QSync technology transforms a Smart-Phone or Tablet into the most elegant and functional transmitter for ECOTRIC PLUS I+II. Transmission range 10–15 m

Colours grey

FRONT PANEL



BACK PANEL

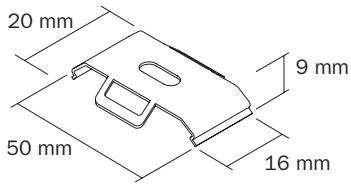
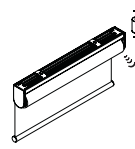


Signal amplifier
QRelay

QRelay extends the capability by assisting signal transmission and reception when needed and is compatible with the radio transmitters. Transmission range up to 10 m

Colours black

ECOTRIC PLUS I + II RTS INSTALLATION



Clip
Standard

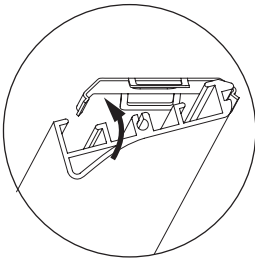
We supply the roller blinds fully assembled with the relevant clip installation arrangement approx. 4 to 6 cm from the end of the roller:

Up to 99 cm width: 2 pieces
 As of 100 cm up to 149 cm width: 3 pieces
 As of 150 cm up to 199 cm width: 4 pieces
 As of 200 cm up to 250 cm width: 5 pieces

Colours

Standard nickel-plated
 Standard white RAL 9016
 Other colours upon inquiry

The clips shall be fixed straightened to the ceiling or the wall



Function clip

Fit the head profile with its rear side in the clips.
 Then press the front of the roller blind upwards into the clips until it locks in

Groove/clip

Installation of the roller blind into the groove

