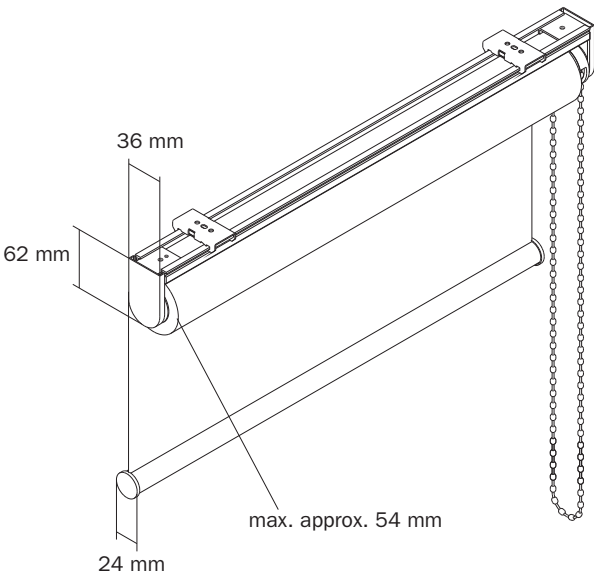
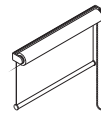


ROLLTRIC PLUS TECHNIQUE SIDE WINDER/SPRING MECHANISM

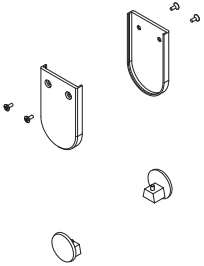


Technique The roller blind is manufactured out of high quality materials. Complete and ready for fitting, with a head profile and clips.
Tube with a diameter of approx. 36 mm.
Quickly and easily installed.

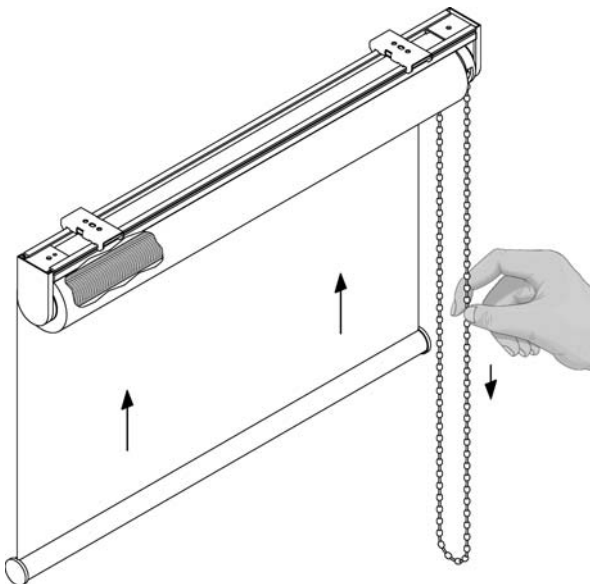
Colours Standard anodized aluminium/grey
Standard white RAL 9016
Other colours upon inquiry

Option: High-quality side cover on top and caps RO weight in anodized aluminium, to match the anodized aluminium head profile/bottom bar, instead of the plastic option
ELOX 1
Design

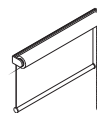
Operation A Nickel-plated metal chain
B Oval chain, grey plastic
Oval chain, white plastic
Either right or left



Integrated lifting mechanism Pull gently on the chain. The blind will move upwards independently thanks to the spring mechanism

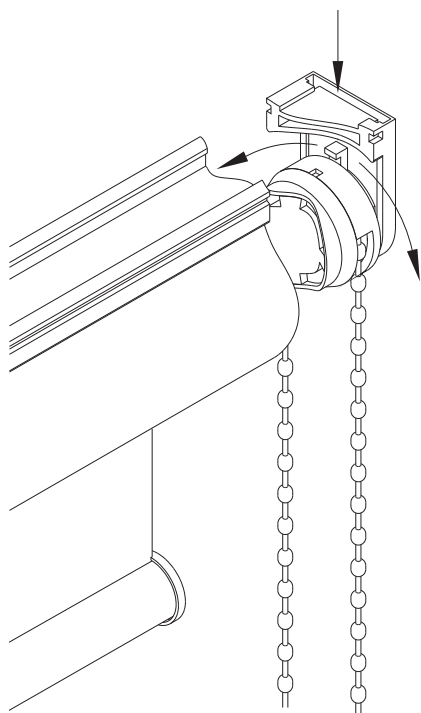


ROLLTRIC PLUS TECHNIQUE SIDE WINDER/SPRING MECHANISM



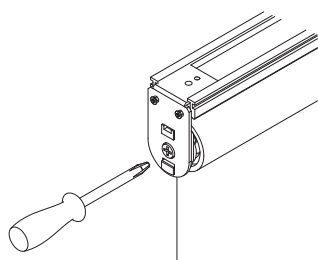
Fixing on ceiling or wall

On site changing of chain guide by pushing and turning the chain wheel



Spring tension

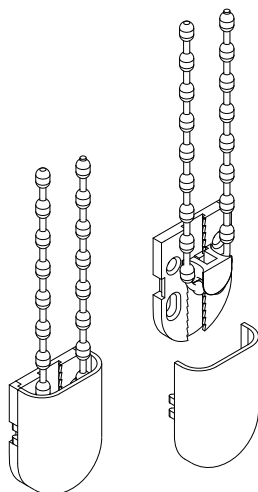
Individual tensioning of spring:



1. Remove the cover
2. Fix the stopper by turning in anti-clockwise rotation
3. Put on the cover

or

1. Remove the cover
2. Release the stopper by turning in clockwise rotation as long necessary
3. Put on the cover



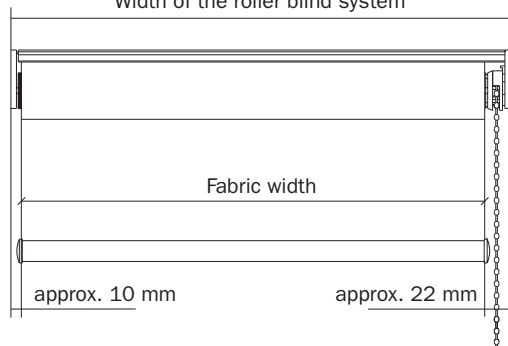
SAFETY I

Chain tensioner for child safety, keep chain out of the reach of children

Width of the roller blind system

Size of system

Maximum width of 200 cm
Maximum height of 300 cm



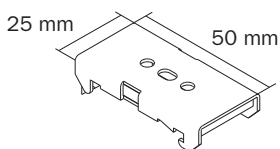
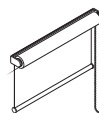
Fabric reeling

Backward reeling only

Fabric width

Roller blind width \cdot 3,2 cm

ROLLTRIC PLUS INSTALLATION



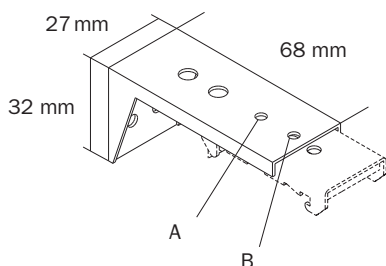
Clip
Standard

We deliver the roller blinds assembled, together with the corresponding metal clips.
Position the clips/supporting brackets at approx. 4 to 6 cm from the end of the blind.

Up to 99 cm width: 2 pieces
As of 100 cm up to 149 cm width: 3 pieces
As of 150 cm up to 199 cm width: 4 pieces

Colours Standard nickel-plated
Standard white RAL 9016
Other colours upon inquiry

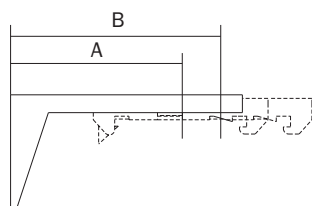
Rapid and simple fixing with a shadow gap of approx. 7 mm



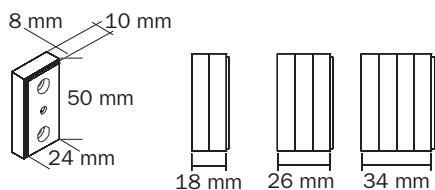
Supporting
bracket

Metal supporting bracket

Colours Standard nickel-plated
Standard white RAL 9016
Other colours upon inquiry

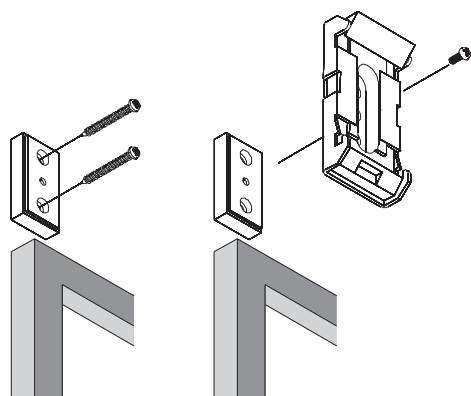


Projection A approx. 50 mm
Projection B approx. 63 mm

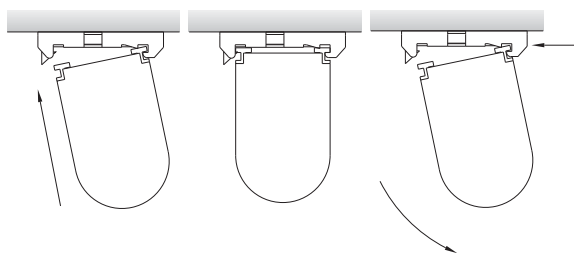
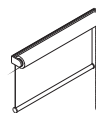


Distance plate by
clip installation

Plastic distance plate transparent, small projection distance from wall thanks to the installation of one or several distance plates



ROLLTRIC PLUS INSTALLATION

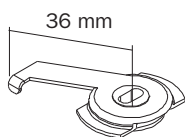


Function clip

Insert the head profile into the clips and press. The roller blind will engage and be ready for use

Remove the blind by pressing the «Push» button

The clips shall be fixed straightened to the ceiling or the wall



Tension jack

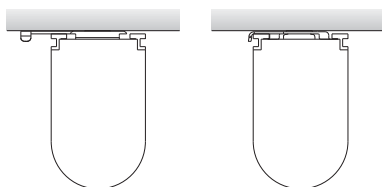
We can deliver the blinds ready for installation, including the corresponding tension jacks upon inquiry

Colours

Standard nickel-plated

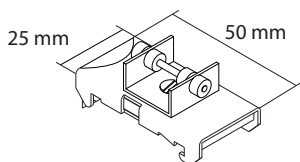
Minimum shadow gap of approx. 2 mm

Positioning of the tension jack at approx. 4 to 6 cm from the end of the blind



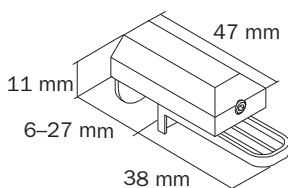
Function
Tension jack

Up to 99 cm width: 2 pieces
As of 100 cm up to 149 cm width: 3 pieces
As of 150 cm up to 199 cm width: 4 pieces



Movable clip

in Pantric 2-5 track



Clamping carrier

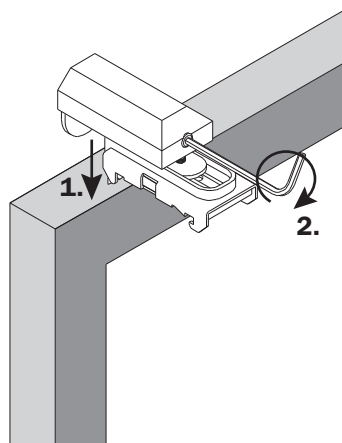
Positioning of the blinds on the window casement by means of the clamping carrier (no drilling necessary)

Clamping distance (thickness of window frame) approx. 6-27 mm

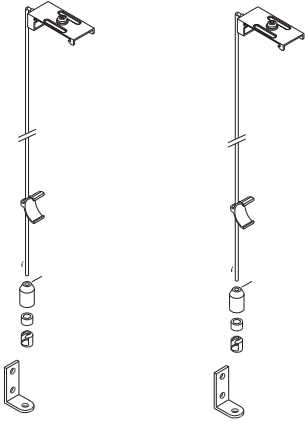
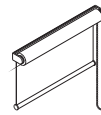
Colours

Standard grey nickel-plated
Standard white RAL 9016

Function
clamping carrier



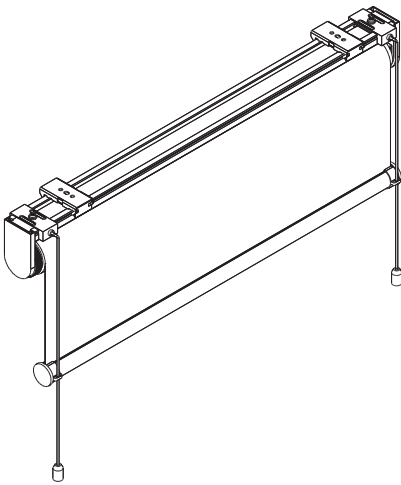
ROLLTRIC PLUS INSTALLATION



Cable guide set only
Bottom bar RO

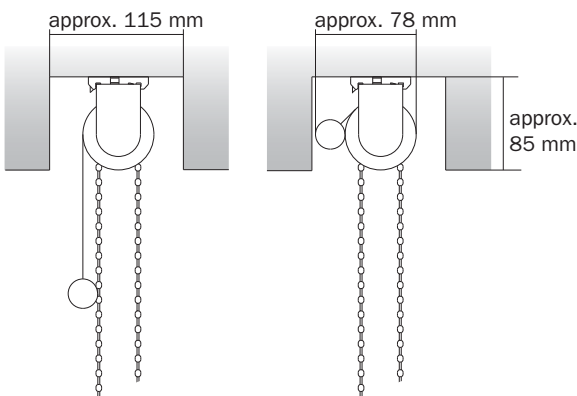
Set consists of:
2 cable profile guides
2 cables (plastic-sheathed)
length A = 350 cm, B = 450 cm
2 cable guide clips
2 stretching devices
2 wall holders

Colours
Standard grey
Standard white



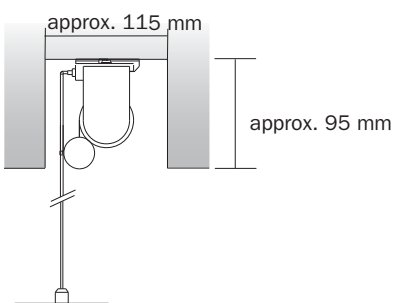
Installation procedure:

1. Fix the cable profile clips to the head profile by means of clamping screws
2. Fix the blind to the ceiling
3. Fix the cable guide clips to the bottom bar
4. Pull through the metal cable, fix the covering cap of the stretching device to the cable
5. Fix the stretching device, stretch and cover



Groove
Clip/tension jack

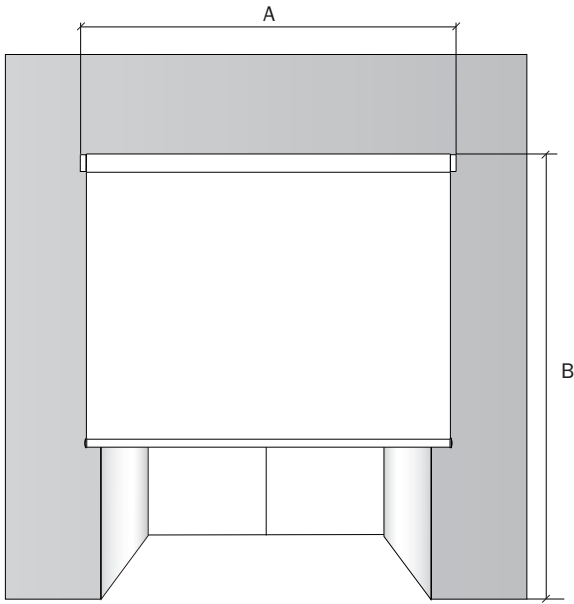
Installation of the blinds in the groove



Groove
Cable guide

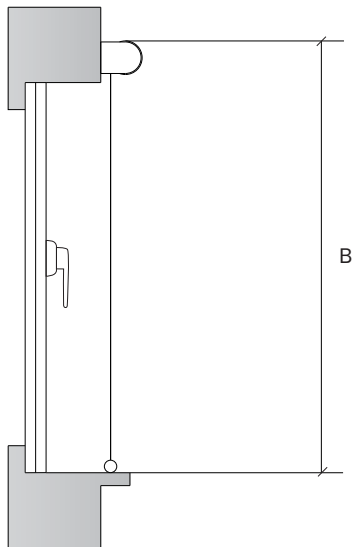
Installation of the blinds in the groove

MEASURING AND INSTALLATION IN FRONT OF THE NICHE

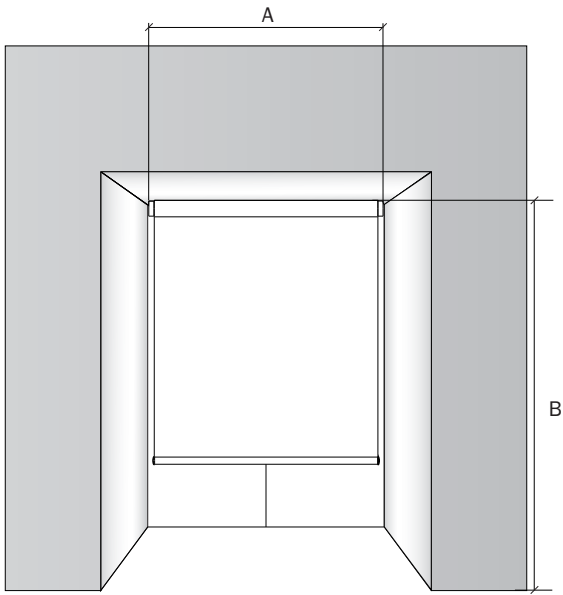


When you place your order, please indicate the measurements of the roller blinds and use our order form

- A – Blind width
(niche width + 10 cm)
- B – Blind height
(niche height + 10 cm)



MEASURING AND INSTALLATION IN THE NICHE



When you place your order, please indicate the measurements of the roller blinds and use our order form

- A – Blind width
(niche width ./. 1 cm)
- B – Blind height
(clear niche height)

