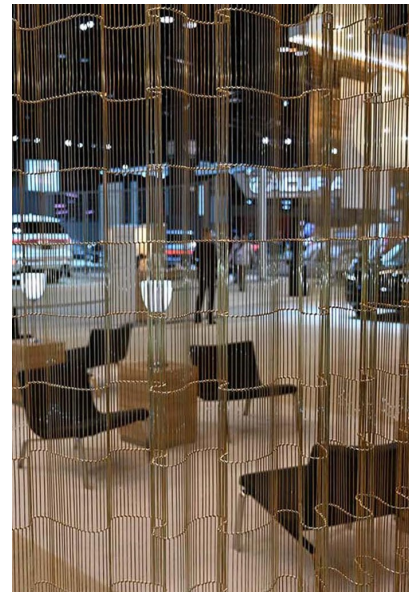


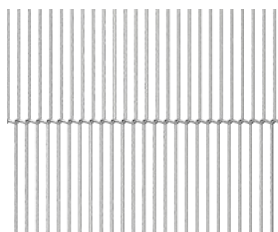
# Linea Mesh



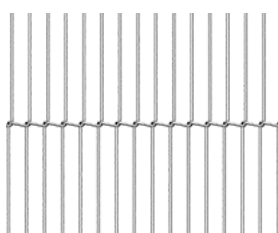
A uniquely delineated wire mesh in beautifully reflective natural metallic finishes. The perfectly structured mesh provides both uniformity and fluidity in its delicately undulating form. Ideal for decorative screening, dividing spaces, window treatments and ceiling features. Available as static or sliding curtains and panels.



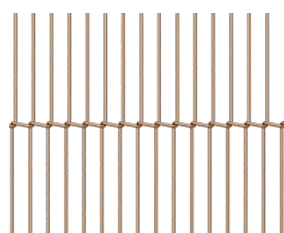
# Linea Mesh - Finishes



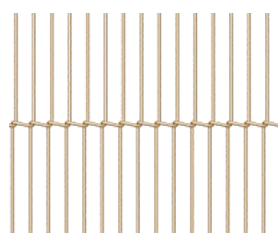
● Stainless Steel  
1.0 Steel PG1



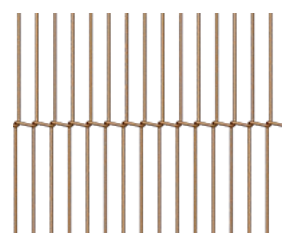
● Stainless Steel  
1.6 Steel PG1



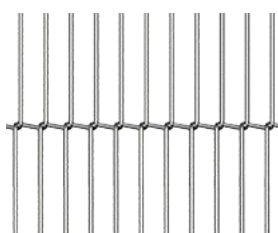
● Brass  
1.6 Steel PG2



● Gold  
1.6 Steel PG3



● Bronze  
1.6 Steel PG4

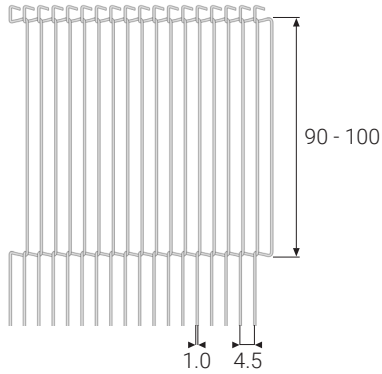


● Stainless Steel  
2.3 Steel PG1

PG - Price Group

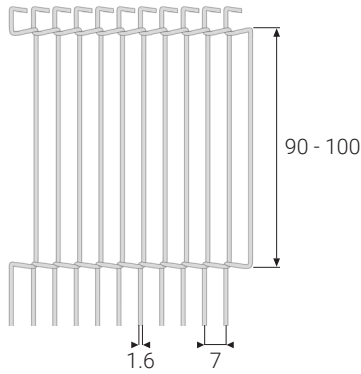
## Mesh Sizes

**1.0**



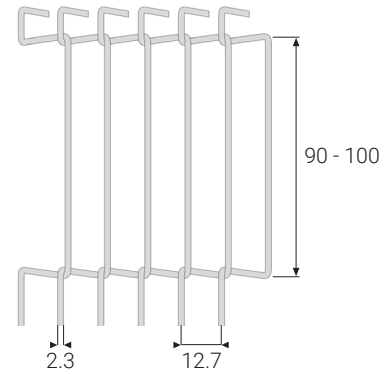
Stainless Steel 1.6kg/m<sup>2</sup>

**1.6**



Stainless Steel 2.6kg/m<sup>2</sup>  
Brass / Bronze / Gold 2.2kg/m<sup>2</sup>

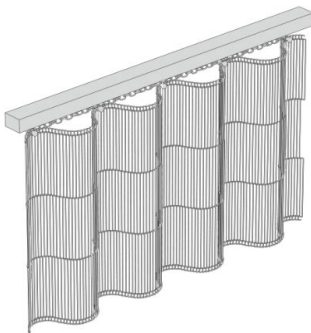
**2.3**



Stainless Steel 3.4kg/m<sup>2</sup>

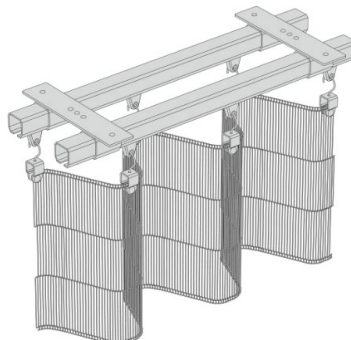
## LC1 Linea Mesh Curtain

**ST1 Single Track - Ripplefold**



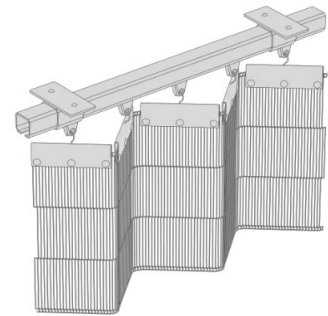
50% Curtain Fullness  
Alternative fullness options available

**DT1 Double Track - Ripplefold**



80% Curtain Fullness  
Alternative fullness options available

**HT1 Hanger Track - V-Fold / Flat**

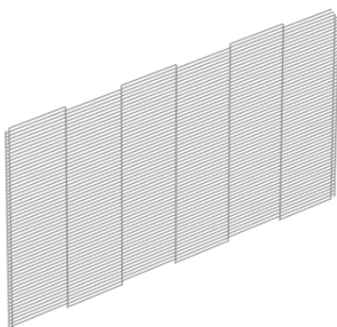


80% Curtain Fullness V-Fold  
Available flat with no fullness

Alternative manual and motorised tracks available / Tracks available straight and curved

## LP1 Linea Mesh Panel

**Horizontal**



**Vertical**

