

Data Sheet

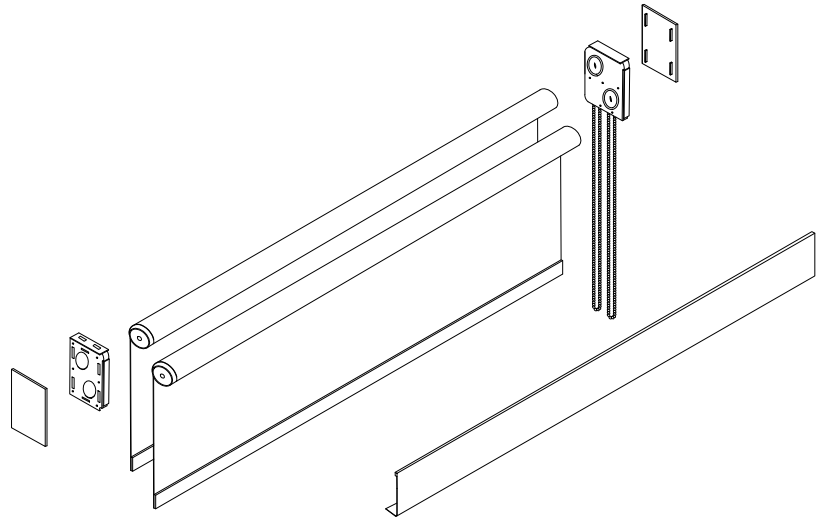
Draper FlexShade NEXD Dual Manual Roller Blind System



Features and Benefits

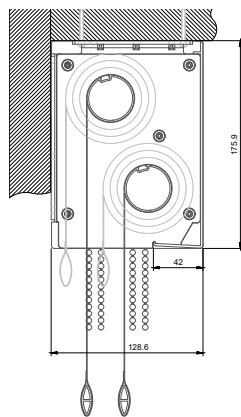
- Steel mounting bracket with heavy duty integrated NEXD clutch, for exceptionally quiet and smooth operation
- Stainless steel bead chain
- Low maintenance
- Optional spring Lift Assist Mechanism (LAM) is available for ease of operation
- Multiple hardware options including brackets (standard) and fascia with end caps

Configuration

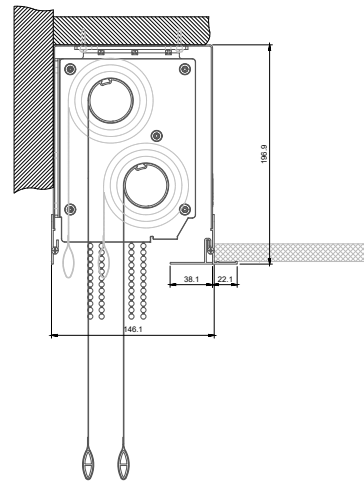


Fixing Brackets: Small

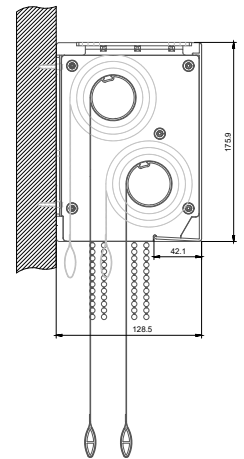
Below Ceiling with Fascia



Above Ceiling in Pocket

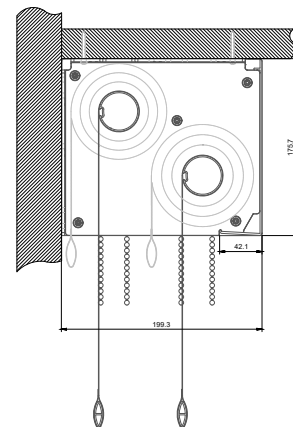


Wall Fix with Fascia

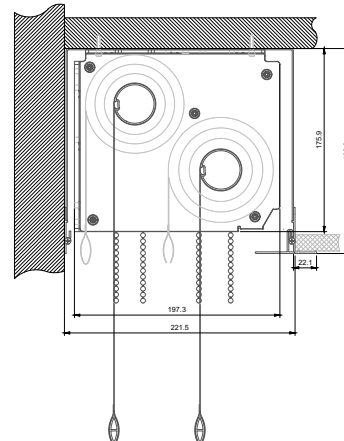


Fixing Brackets: Large

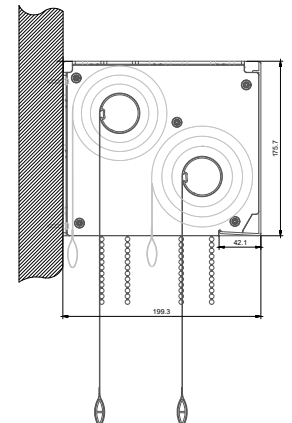
Below Ceiling with Fascia



Above Ceiling in Pocket



Wall Fix with Fascia



Size Parameters

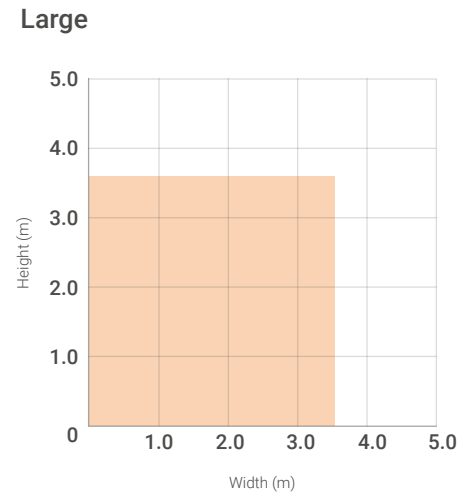
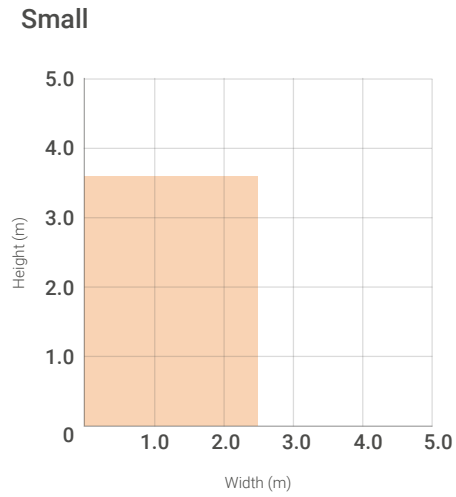
Small

Maximum width: 2450mm*
Maximum drop: 3600mm*

Large

Maximum width: 3650mm*
Maximum drop: 3650mm*

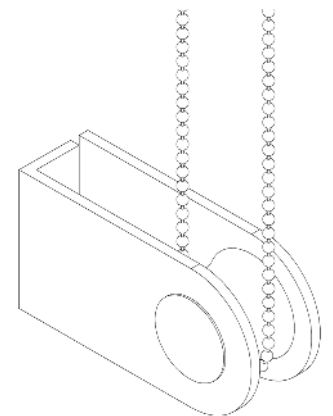
*Dependent on fabric type,
contact [Waverley](#) for more information



Light Gaps

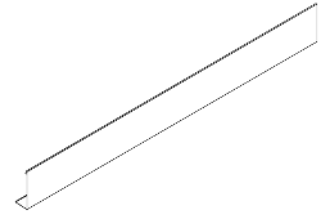


Chain Retainer



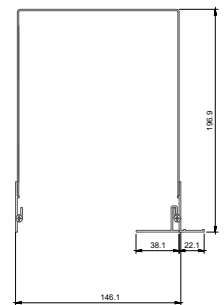
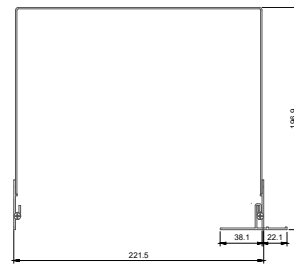
Fascia

- Extruded aluminium fascia available for small and large systems
- Snaps onto brackets without any exposed fasteners
- No notching of fascia required
- White powdercoat finish as standard, other RAL colours on request



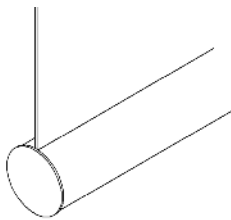
Ceiling Pocket

- Extruded aluminium ceiling pocket for perimeter installations, available for small and large systems
- Complete with tile support lip and closure plate
- White powdercoat finish as standard, other RAL colours on request

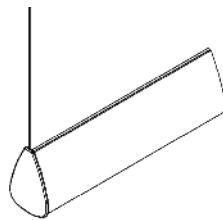


Please note: Ceiling pockets subject to minimum order quantities

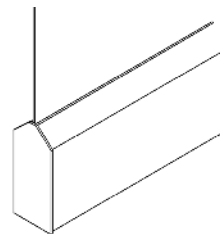
Bottom Bar Options



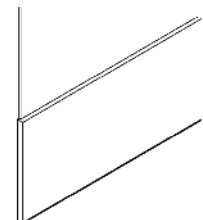
Round



Teardrop*



Rectangular



Fabric Enclosed

*Only option available for use with side guide wires



Fabric Choice

The entire ShadeTech fabric range is suitable for use with Draper FlexShade NEXD Dual roller blinds. Alternatively they can be manufactured using fabric selected by specifier or client.

Maintenance

Draper FlexShade NEXD Dual roller blinds are made from high quality materials. Cleaning regime depends on fabric specified. Most can be wiped clean with a damp cloth.

Quality and Guarantee

Draper warrants to the end user that its products are free from defects in the material and workmanship for a period of 25 years for the mounting hardware, clutch and fascia and 10 years for the spring assist mechanism.