

Data Sheet

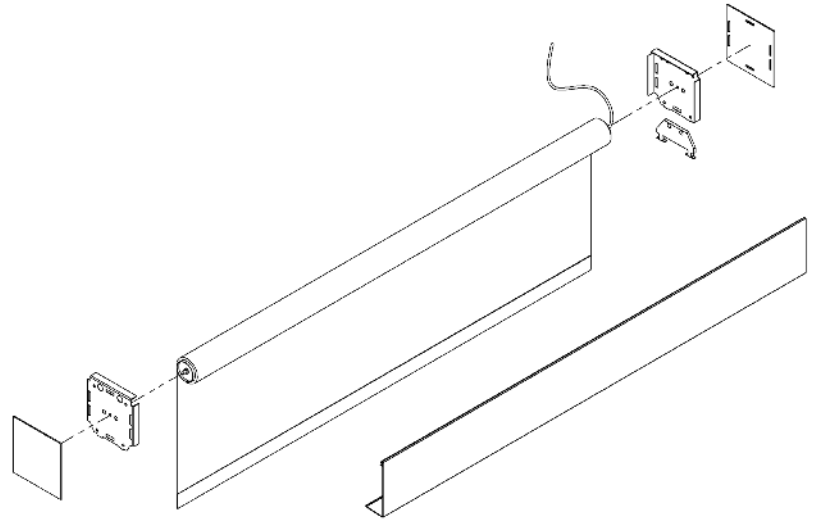
Draper Platinum Electric Roller Blind Powered by Lutron



Features and Benefits

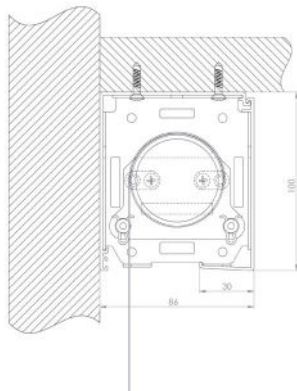
- Steel mounting bracket with endcap covers
- Lutron Drive and switch/control options available
- Low maintenance
- Dual roller version available for blackout and sheer fabrics
- Multiple hardware options including brackets (standard), fascia with end caps and headbox and closure

Configuration

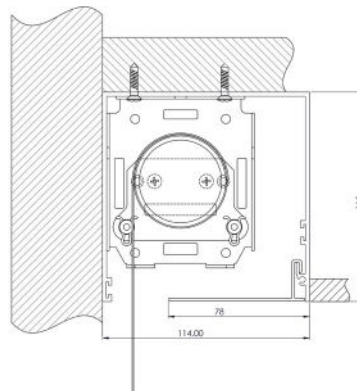


Fixing Brackets

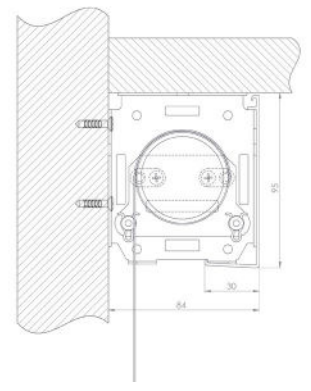
Below Ceiling with Fascia



Above Ceiling in Pocket



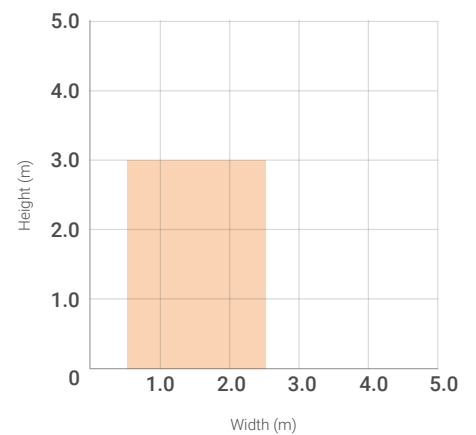
Wall Fix with Fascia



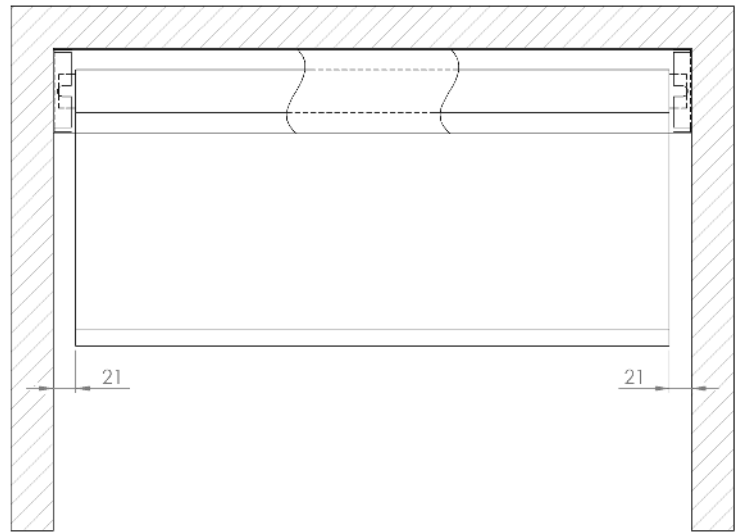
Size Parameters

Maximum width: 2500mm

Maximum drop: 3000mm



Light Gaps

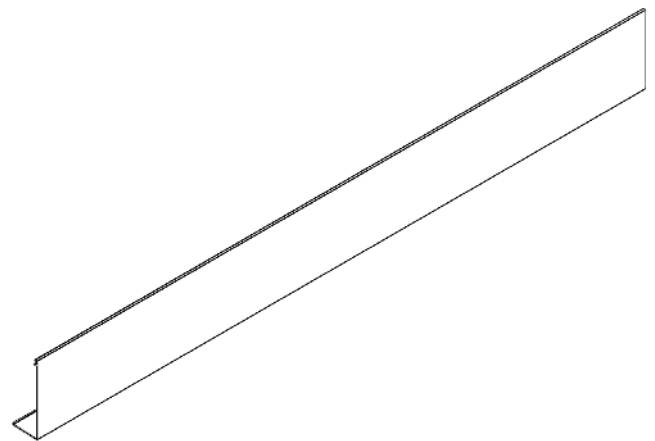


Control Options

Please [contact Waverley](#) technical for advice on appropriate Lutron control system

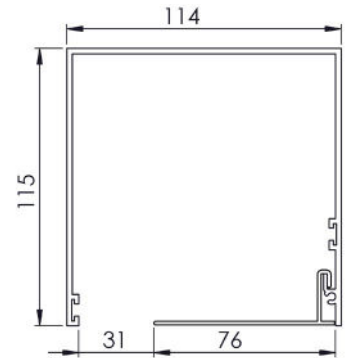
Fascia

- Extruded aluminium fascia available
- Snaps onto brackets without any exposed fasteners
- No notching of fascia required
- White powdercoat finish as standard, other RAL colours on request

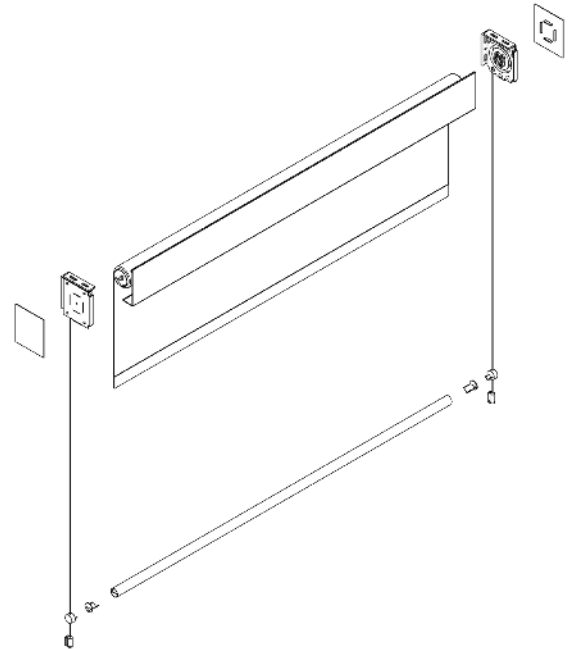


Ceiling Pocket

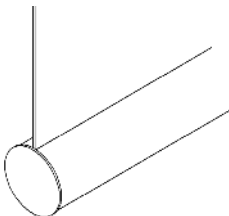
- Extruded aluminium ceiling pocket for perimeter installations
- Complete with tile support lip and closure plate
- White powdercoat finish as standard, other RAL colours on request



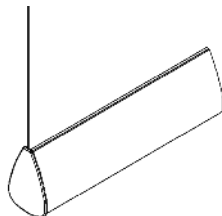
Guide Wires



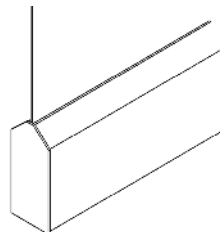
Bottom Bar Options



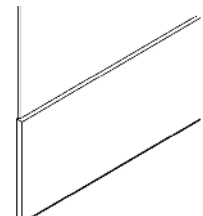
Round



Teardrop*



Rectangular



Fabric Enclosed

*Only option available for use with side guide wires



Fabric Choice

The entire ShadeTech fabric range is suitable for use with Draper Platinum roller blinds. Alternatively they can be manufactured using fabric selected by specifier or client.

Maintenance

Draper Platinum roller blinds are made from high quality materials. Cleaning regime depends on fabric specified. Most can be wiped clean with a damp cloth.

Quality and Guarantee

Draper warrants to the end user that its products are free from defects in the material and workmanship for a period of 25 years for the mounting hardware. Lutron Drive unit warranted for five years.