

## Data Sheet

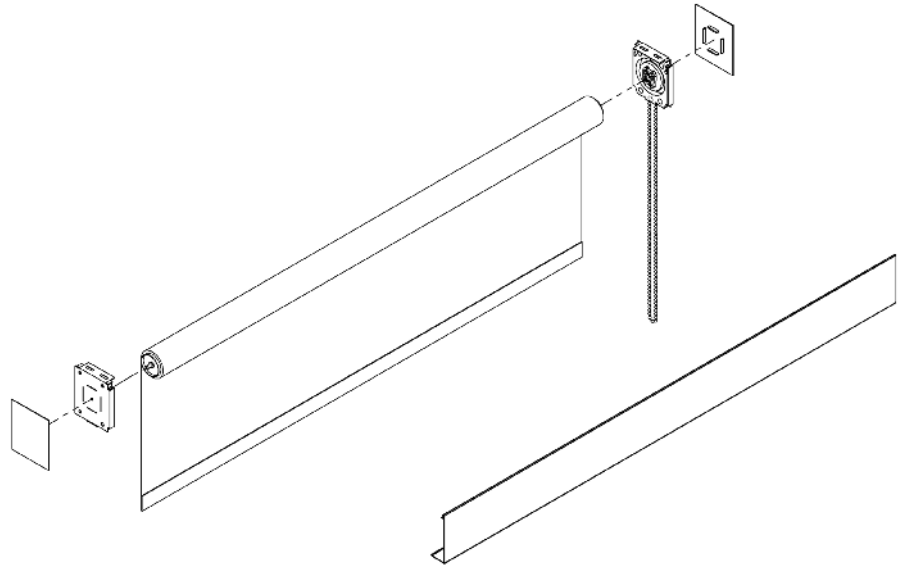
# Draper FlexShade NEXD Manual Roller Blind System



## Features and Benefits

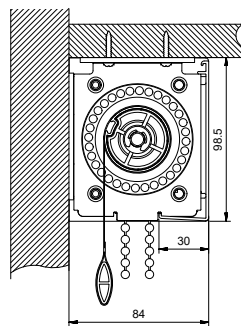
- Steel mounting bracket with heavy duty integrated NEXD clutch, for exceptionally quiet and smooth operation
- Clutch available in white (standard) or black (subject to minimum order quantity)
- Stainless steel bead chain
- Low maintenance
- Optional spring Lift Assist Mechanism (LAM) is available for large blinds
- Dual roller version available for blackout and sheer fabrics (see separate data sheet)
- Multiple hardware options including brackets (standard), fascia with end caps, headbox and closure

## Configuration

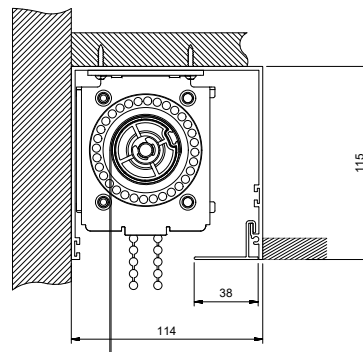


### Fixing Brackets: Small

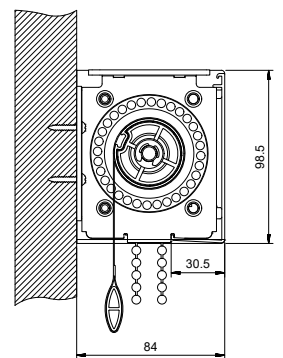
Below Ceiling with Fascia



Above Ceiling in Pocket

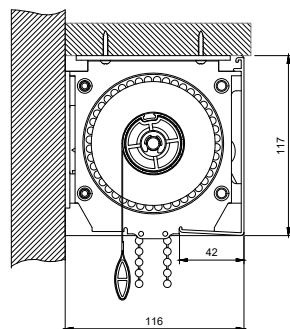


Wall Fix with Fascia

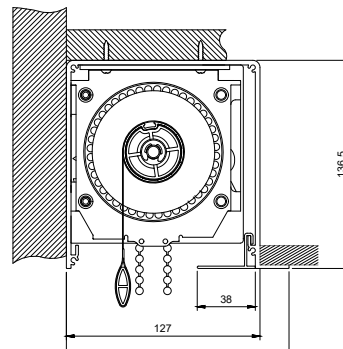


### Fixing Brackets: Large

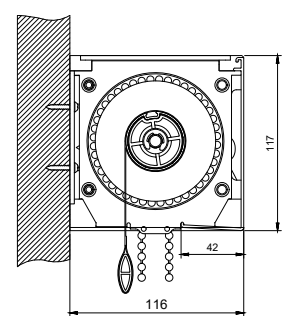
Below Ceiling with Fascia



Above Ceiling in Pocket



Wall Fix with Fascia



## Size Parameters

### Small

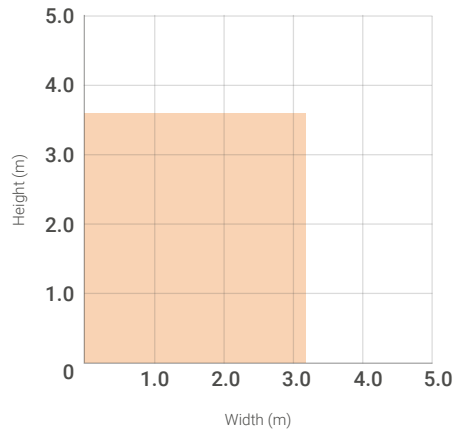
Maximum width: 3200mm\*  
Maximum drop: 3600mm\*

### Large

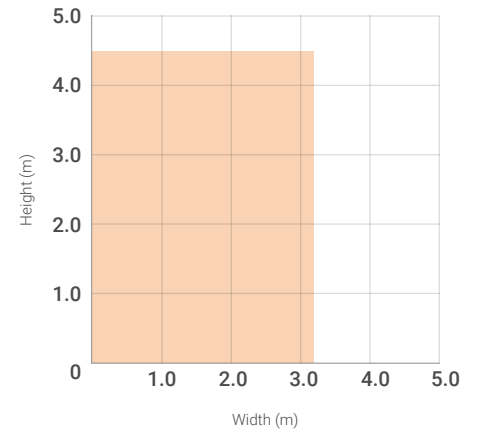
Maximum width: 3200mm\*  
Maximum drop: 4500mm\*

\*Dependent on fabric type,  
[contact Waverley](#) for more information

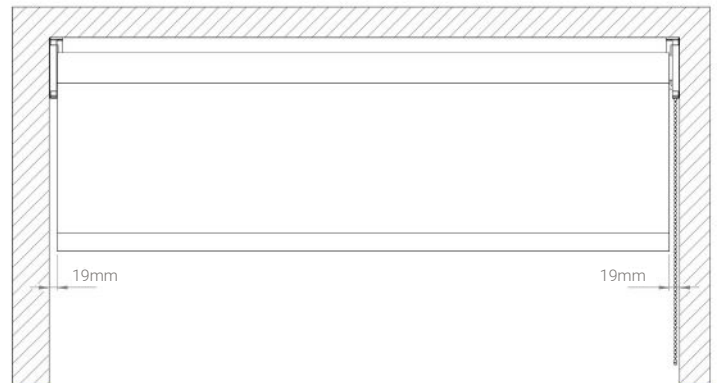
Small



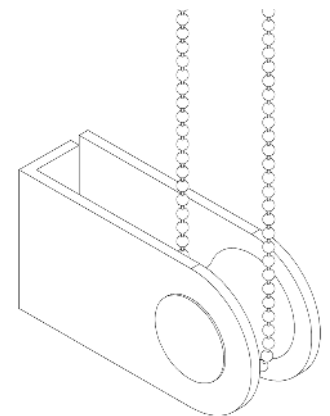
Large



## Light Gaps

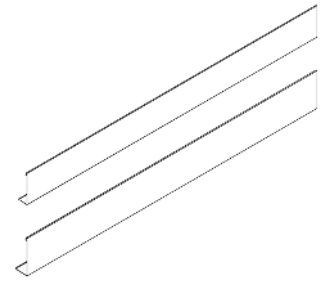


## Chain Retainer



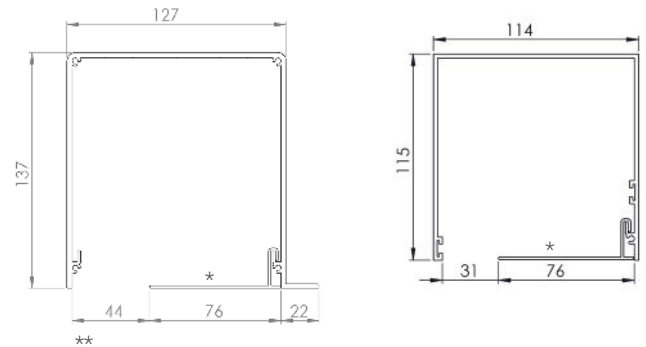
## Fascia

- Extruded aluminium fascia available for small and large systems
- Snaps onto brackets without any exposed fasteners
- No notching of fascia required
- White powdercoat finish as standard, other RAL colours on request



## Ceiling Pocket

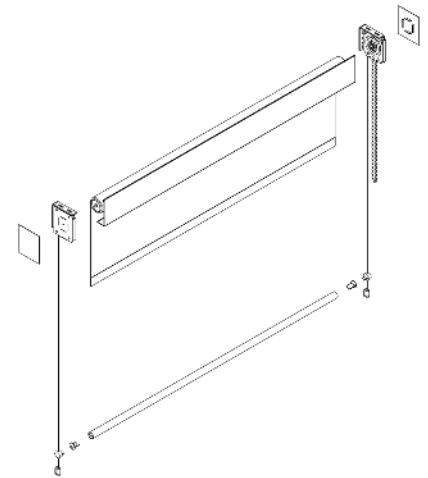
- Extruded aluminium ceiling pocket for perimeter installations, available for small and large systems
- Complete with closure plate
- RA9016 white powdercoat finish as standard, other RAL colours on request



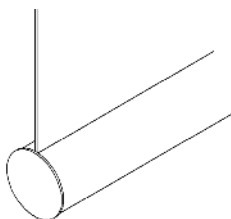
\* Closure plate will be notched to allow passage of control chain

\*\* Larger pocket subject to minimum order quantity

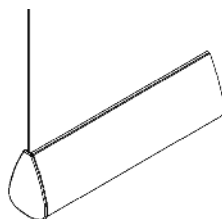
## Guide Wires



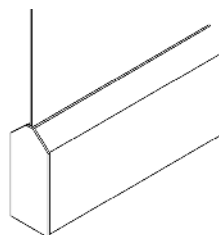
## Bottom Bar Options



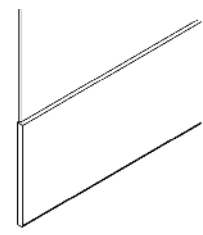
Round



Teardrop\*



Rectangular



Fabric Enclosed

\*Only option available for use with side guide wires



### Fabric Choice

The entire ShadeTech fabric range is suitable for use with Draper FlexShade NEXD roller blinds. Alternatively they can be manufactured using fabric selected by specifier or client.

### Maintenance

Draper FlexShade NEXD roller blinds are made from high quality materials. Cleaning regime depends on fabric specified. Most can be wiped clean with a damp cloth.

### Quality and Guarantee

Draper warrants to the end user that its products are free from defects in the material and workmanship for a period of 25 years for the mounting hardware, clutch and fascia and 10 years for the spring assist mechanism.