



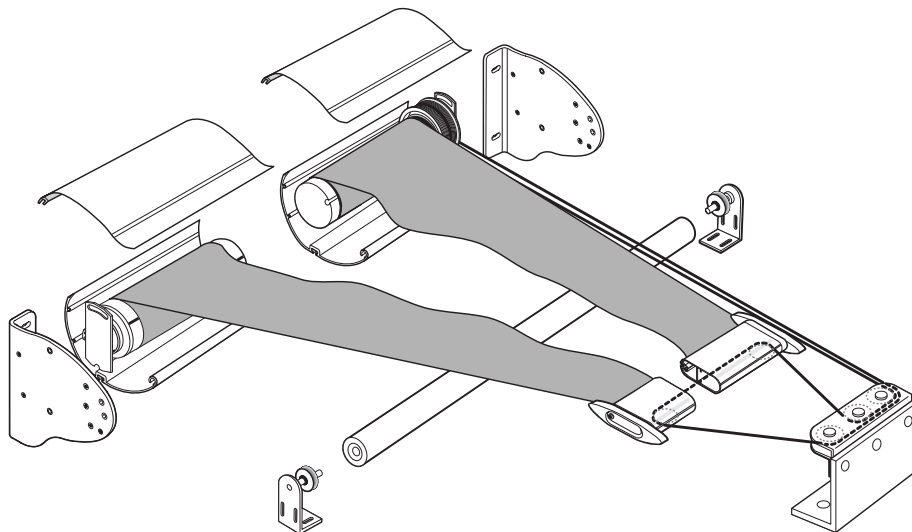
# TESS401DATASHEET

## EXTERNAL TRIANGULAR TENSION SYSTEM

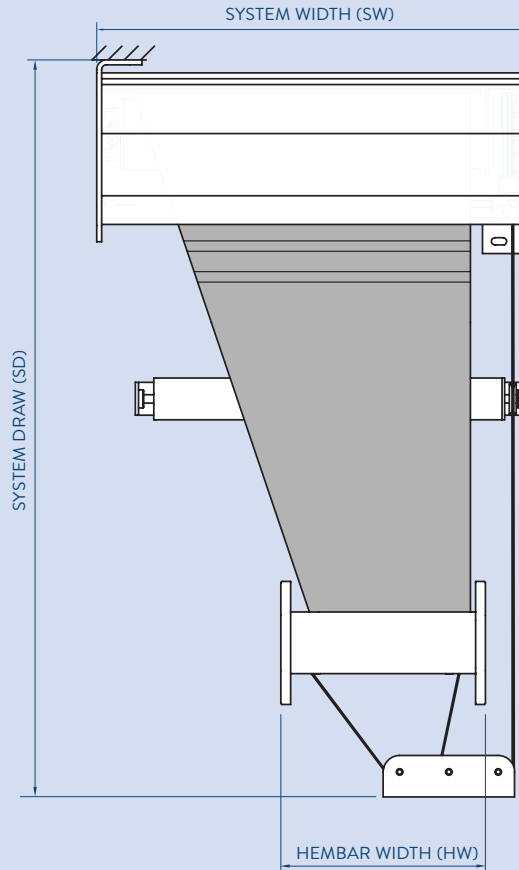
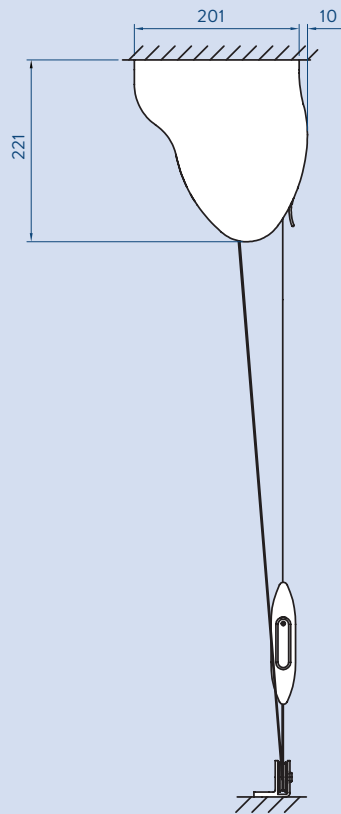
The tried and tested solution for triangular glazing.  
Flat or curved.

Modern glazing design is anything but square. The TESS 401 covers corners and right-angled triangles and can even follow curves with the use of relieving rollers. Unlimited colour finishes and a wide range of fabrics make it suitable for any project. Our single barrel mechanism keeps the fabric constantly under tension and produces a smooth, quiet travel.

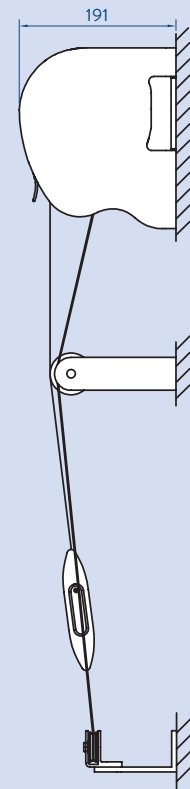
- Protective headbox
- Single barrel tension system
- 90° triangles and corners
- Angles and curves
- Reliable and robust



## BACK FIX



## BOTTOM FIX



## KEYFACTS

|                      |                                |
|----------------------|--------------------------------|
| Typical use          | Flat, curved or sloped glazing |
| Shape                | Right angled triangle          |
| Running direction    | Any                            |
| Guides               | None                           |
| Width                | 870 mm - 4000 mm               |
| Draw                 | ≤5000 mm                       |
| Fabric area          | ≤9 m <sup>2</sup>              |
| Brackets             | Aluminium                      |
| Relieving rollers    | Aluminium                      |
| Finish               | RAL Powder coat                |
| Installation options | Bottom, back                   |

## TECHNICALINFO

|                    |                            |
|--------------------|----------------------------|
| Fabric tension     | >100 N                     |
| Weight exc. fabric | ~12.5 kg + 10.2 kg/m width |
| Fixing load        | ≤36 kg per bracket         |
| Operating temp.    | 0 to 55 °C                 |
| Motor              | 15 Nm, 17 rpm              |
| Electrical         | 230 V, 50 Hz, 140 W, 0.65A |
|                    | 120 V, 60 Hz, 130 W, 1.1A  |
| Max run time       | 4 min                      |
| Fabric speed       | ~5 m/min                   |
| Controls           | Radio, Wired               |

